

## SECTION 6 CANOPY AND SPYDER SYSTEMS



**Trade Price List 2023**

[www.opushardware.com](http://www.opushardware.com)

## SECTION 7 | FRAMELESS ASSEMBLIES AND SPIDERS

<b>Product</b>	<b>Page</b>
Product Overview	7.3
Frameless Glass Canopy Hardware Kits	7.4
Frameless Glass Canopy Components	7.5
Light Weight Spider 444/4	7.6
Light Weight Spider 444/2	7.7
Light Weight Spider 443/4	7.8
Light Weight Spider 443/2	7.9
Heavy Duty Spider 445/4M	7.10
Heavy Duty Spider 445/2M	7.11
Heavy Duty Spider 445/4M/2Y	7.12
Heavy Duty Spider 446/4M	7.13
Heavy Duty Spider 446/4M	7.14
Heavy Duty Spider 446/2M	7.15
Heavy Duty Spider 446/4M/90°	7.16
Heavy Duty Spider 446/2M/90°	7.16
Stand Off Spider	7.17
Special Spider Series	7.17
Spiders - Glass Preparation Diagrams	7.18
Stand off Spider - Glass Cutouts	7.18
Spider Fittings (Heavy Duty)	7.19
Austvision Tierod Canopy System	7.20
Austvision Spidertruss – System Fittings & Components	7.21

# PRODUCT OVERVIEW

## Frameless Spider & Canopy Assemblies

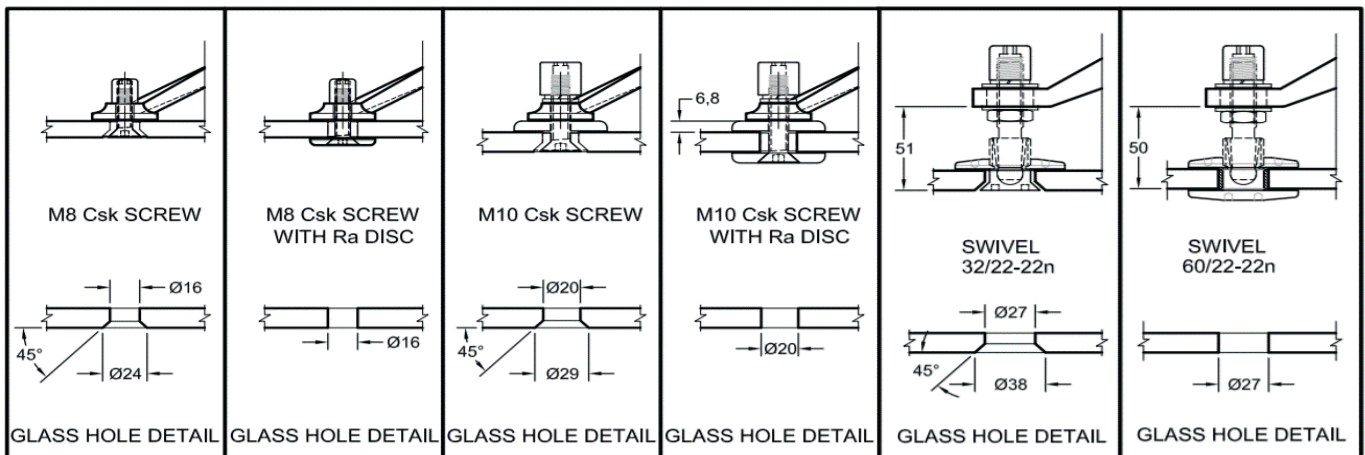
Spider Fittings are designed for mounting to walls, posts, fins or other structural substrates with minimal visible connections. Holes must be drilled in the glass for assembly. Opus Hardware stock a range of Spider fittings. The fixing detail can be tailored for individual projects including side fixed, bottom fixed or top mounted fittings to meet the requirements of small canopies through to more complex glass walls. All Spiders Fittings are manufactured from 316 stainless to maximize durability and appearance, in polished or satin finishes. Swivels are available for toughened, laminated or double glazed units, including flush fitting and surface mounted options.

Also ideal for creating an "all glass" look, a glass canopy provides an attractive and practical feature to any commercial or residential project. The contrast between the old and the new, and the crisp, clean lines looks very contemporary. Often placed outside entrance doors, a canopy protects people entering the building. But they certainly are not limited to front doors; canopies over deck areas keep the weather away from the doors, allowing protection from the elements and natural light through to the entrance area.



## SPIDERS - Glass Preparation Diagrams

Light and Heavy Duty Spiders - Glass Cutouts

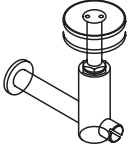

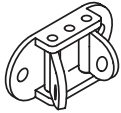


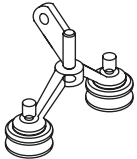
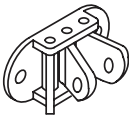
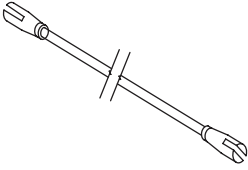



MUST SPECIFY FIXING/MOUNTING REQUIREMENTS ON ORDER FOR SPIDERS AND CANOPY'S

# FRAMELESS GLASS CANOPY HARDWARE KITS (NO GLASS INCLUDED)

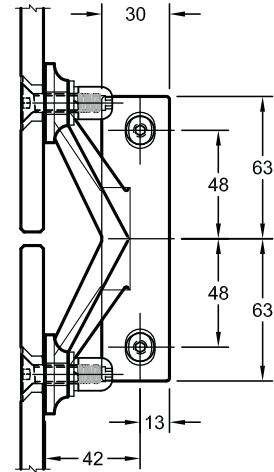
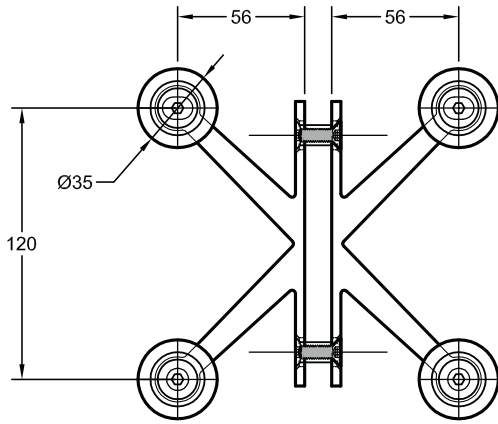
PRODUCT	DESCRIPTION	COLOUR	CODE	PRICE
	L = 1500mm B = 1400mm 10mm Glass Thickness	Stainless Steel 316	C1-10	
	L = 1700mm B = 1600mm 12mm Glass Thickness	Stainless Steel 316	C1-12	
	L = 2600mm B = 1400mm 10mm Glass Thickness	Stainless Steel 316	C2-10	
	L = 3000mm B = 1600mm 12mm Glass Thickness	Stainless Steel 316	C2-12	
	L = 3700mm B = 1400mm 10mm Glass Thickness	Stainless Steel 316	C3-10	
	L = 4300mm B = 1600mm 12mm Glass Thickness	Stainless Steel 316	C3-12	
	L = 3700mm B = 1400mm 10mm Glass Thickness	Stainless Steel 316	C4-10	
	L = 4300mm B = 1600mm 12mm Glass Thickness	Stainless Steel 316	C4-12	

# FRAMELESS GLASS CANOPY COMPONENTS

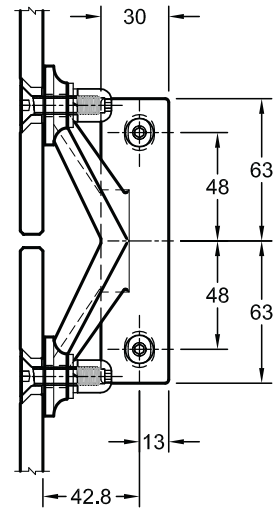
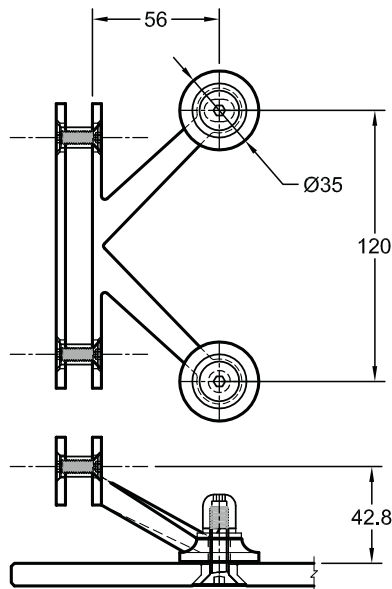
PRODUCT	DESCRIPTION	CODE	PRICE
	<b>One way glass to wall bracket</b>	CB30-18	
	<b>One way wall to tie rod bracket</b>	CB523	
	<b>One way wall to tie rod bracket</b>	CB1234	
	<b>M10 &amp; 100mm Counter Sunk</b> Wood screw for fixing of CB wall tie rod brackets	CSW-100	
	<b>One way tie rod to glass bracket</b>	CGF220	
	<b>Two way tie rod to glass bracket</b>	CGF443	
	<b>Three way wall to tie rod bracket</b>	CB1235	
	<b>Tie rod with forks</b> (made to order - price POA)	TR12	
	<b>Spider tension node</b>	TCN1	
		TCN2	
		TCN3	

# LIGHT WEIGHT SPIDER 444/4

DESCRIPTION	COLOUR	CODE	PRICE
Specify Glass Thickness and Fixing Type	Stainless Steel 316	444/4 (500127)	

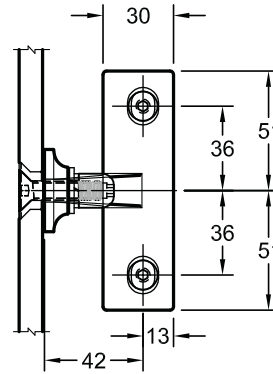
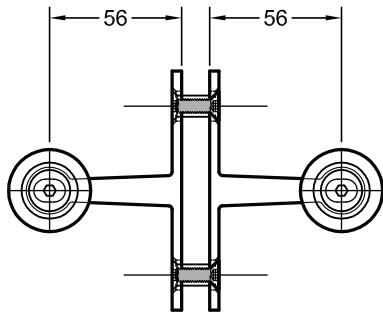


Specify Glass Thickness and Fixing Type	Stainless Steel 316	444/4/2	
---	---------------------	---------	--

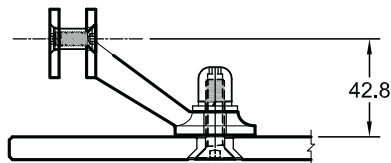
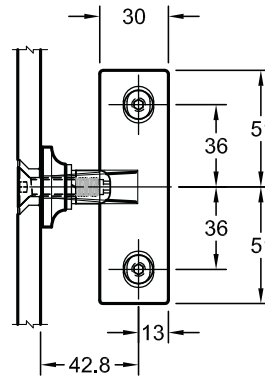
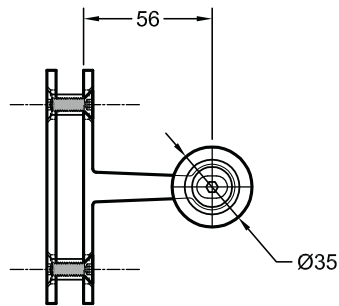


# LIGHT WEIGHT SPIDER 444/2

DESCRIPTION	COLOUR	CODE	PRICE
Specify Glass Thickness and Fixing Type	Stainless Steel 316	444/2	

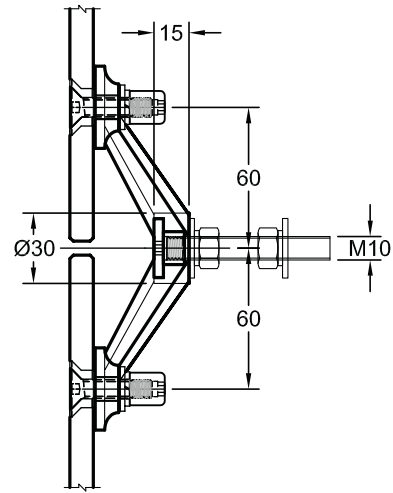
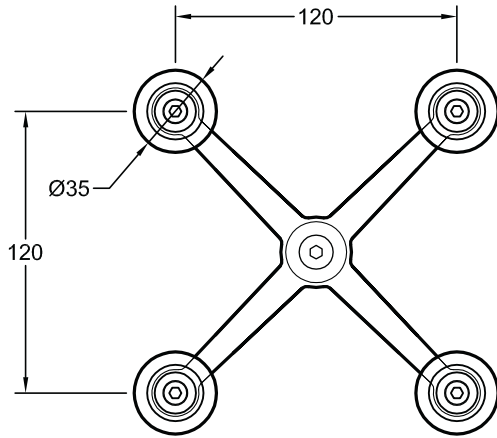


Specify Glass Thickness and Fixing Type	Stainless Steel 316	444/2/1	
---	---------------------	---------	--

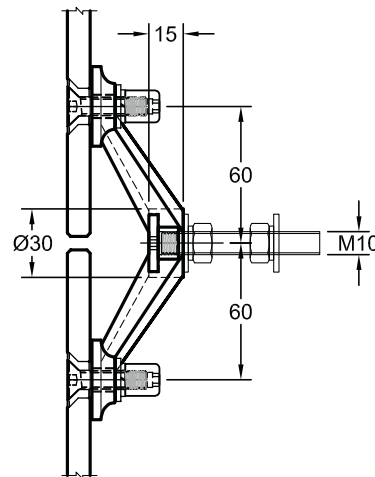
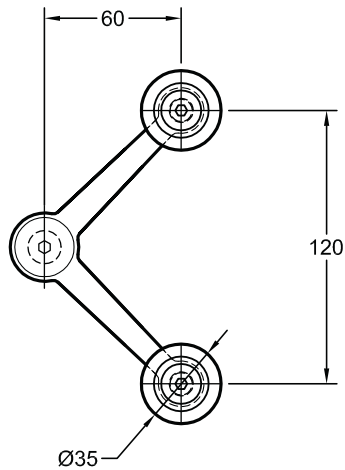


# LIGHT WEIGHT SPIDER 443/4

DESCRIPTION	COLOUR	CODE	PRICE
Specify Glass Thickness and Fixing Type	Stainless Steel 316	443/4	



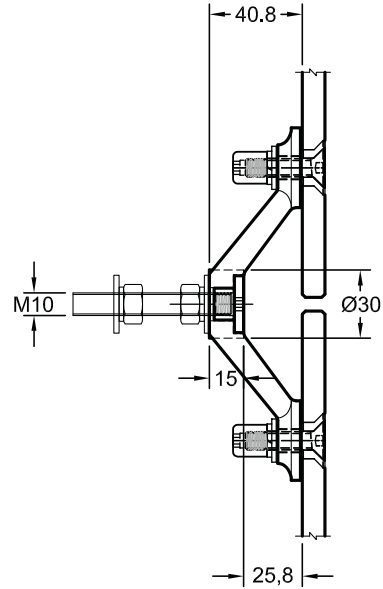
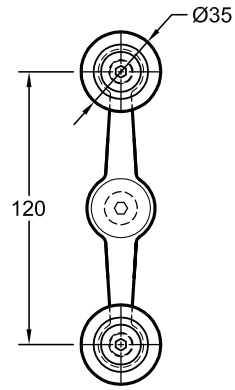
Specify Glass Thickness and Fixing Type	Stainless Steel 316	443/4/2	
---	---------------------	---------	--



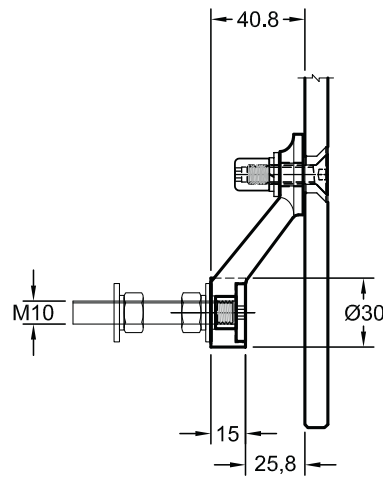
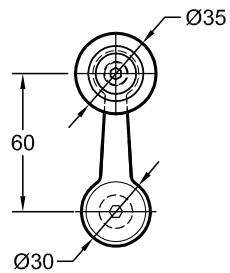


# LIGHT WEIGHT SPIDER 443/2

DESCRIPTION	COLOUR	CODE	PRICE
Specify Glass Thickness and Fixing Type	Stainless Steel 316	443/2	

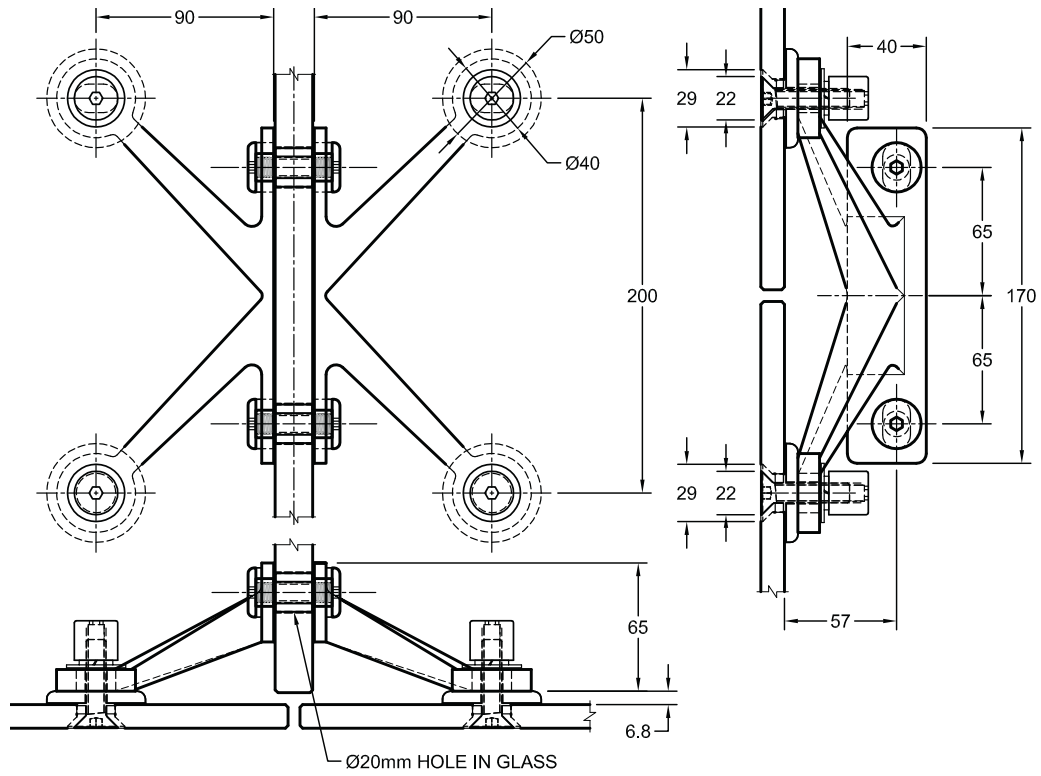


Specify Glass Thickness and Fixing Type	Stainless Steel 316	443/2/1	
---	---------------------	---------	--

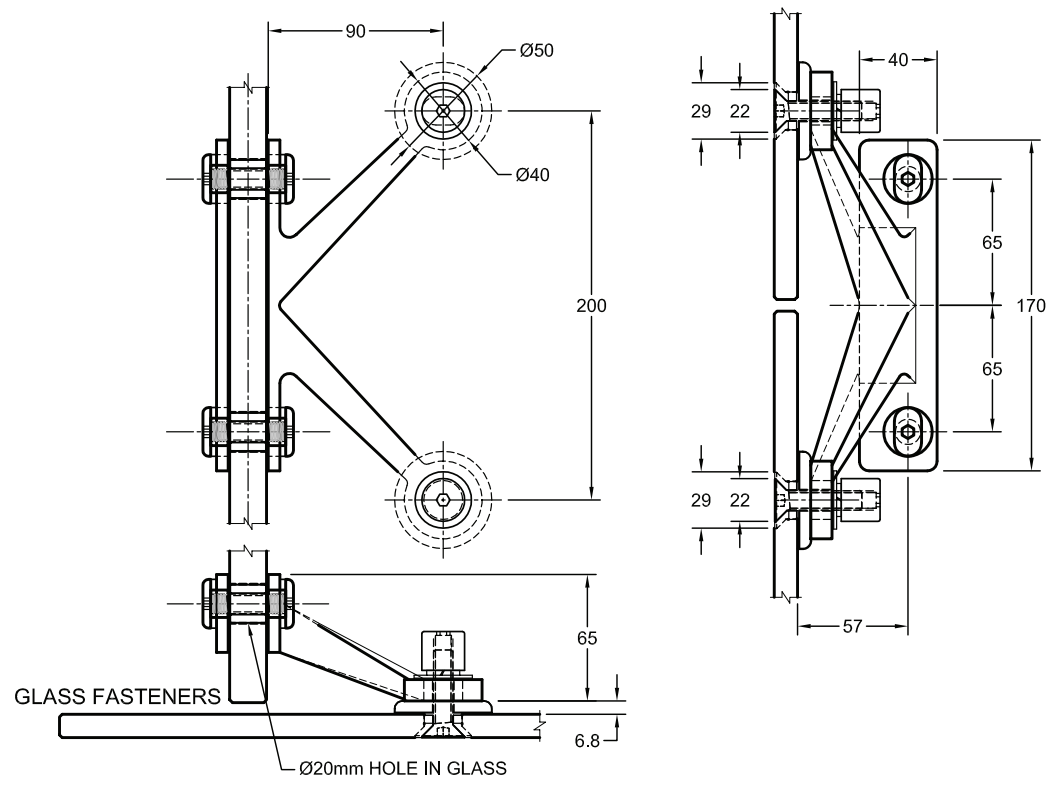


# HEAVY DUTY SPIDER 445/4M

DESCRIPTION	COLOUR	CODE	PRICE
Specify Glass Thickness and Fixing Type	Stainless Steel 316	445/4M	

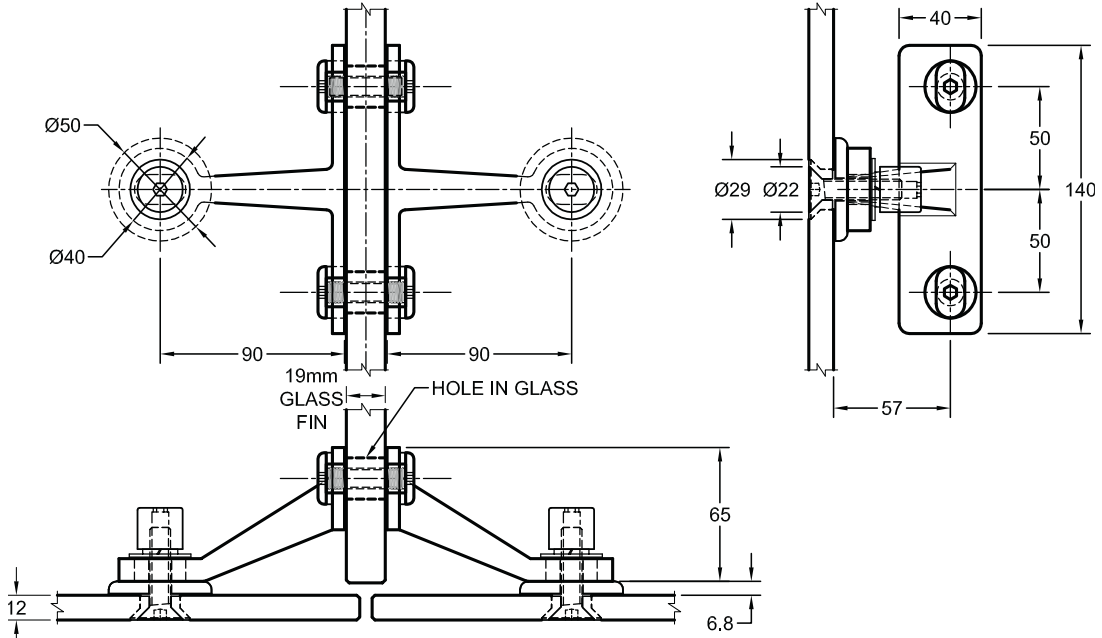


Specify Glass Thickness and Fixing Type	Stainless Steel 316	445/4M/2	
---	---------------------	----------	--

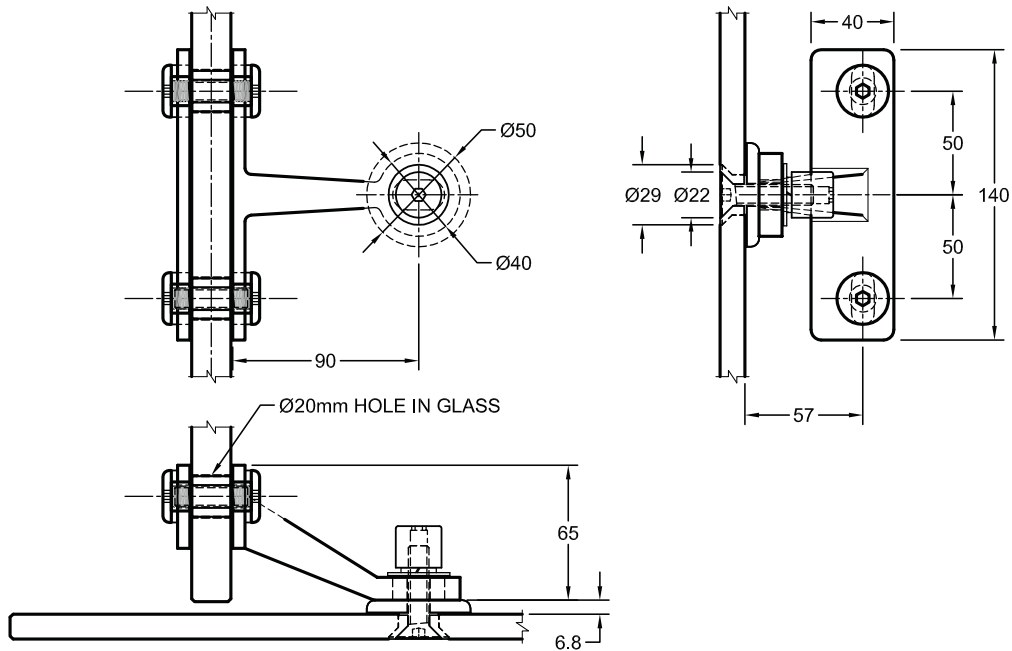


# HEAVY DUTY SPIDER 445/2M

DESCRIPTION	COLOUR	CODE	PRICE
Specify Glass Thickness and Fixing Type	Stainless Steel 316	445/2M	



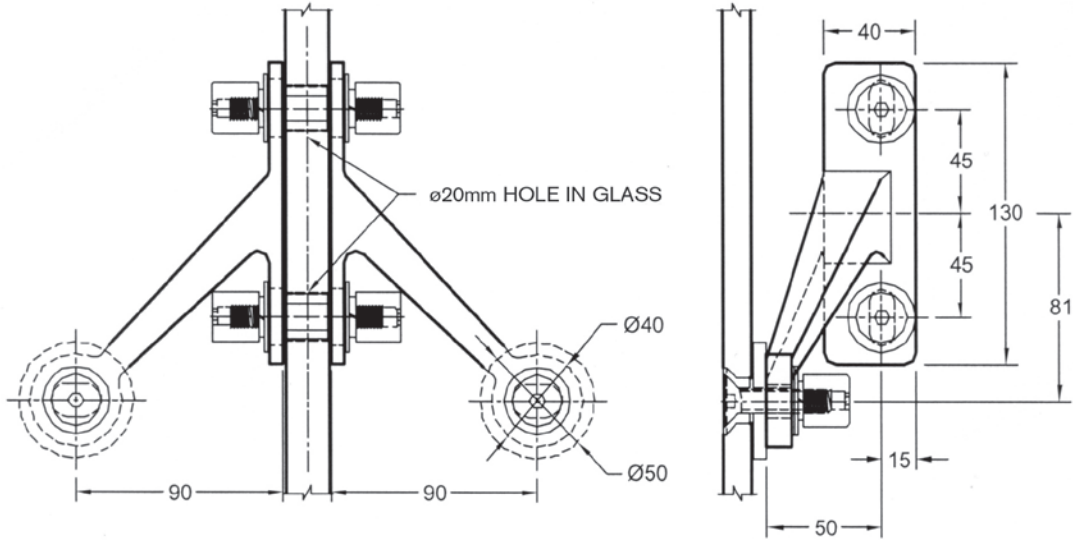
Specify Glass Thickness and Fixing Type	Stainless Steel 316	445/2M/1	
---	---------------------	----------	--



# HEAVY DUTY SPIDER 445/4M/2Y

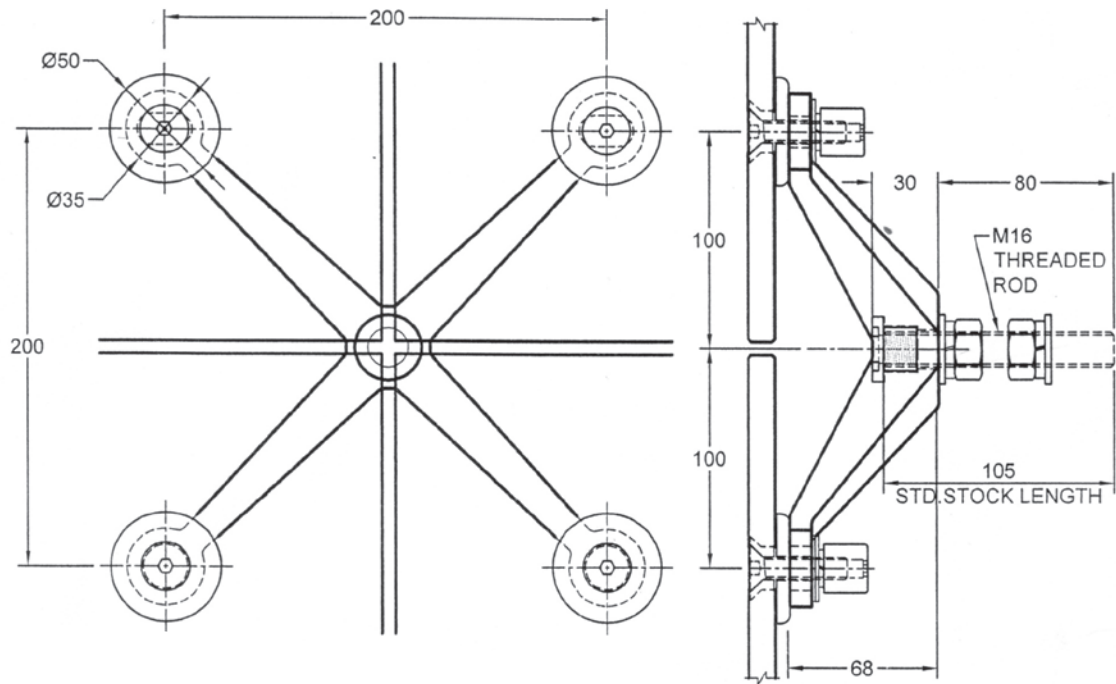
DESCRIPTION	COLOUR	CODE	PRICE
Specify Glass Thickness and Fixing Type	Stainless Steel 316	445/4M/2Y	

**PLEASE NOTE: Item not readily stocked. Allow lead time for delivery of parts.**

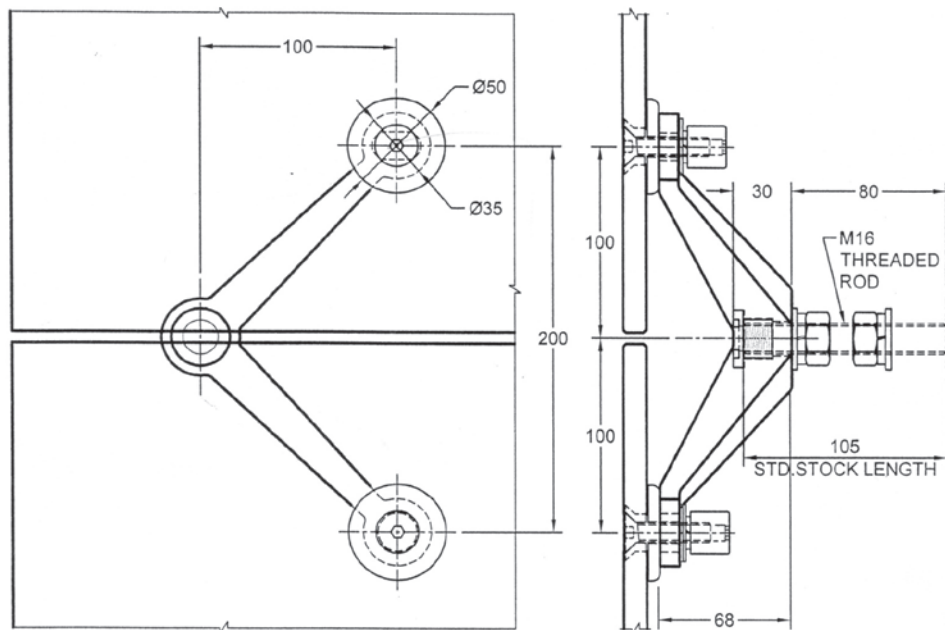


# HEAVY DUTY SPIDER 446/4M

DESCRIPTION	COLOUR	CODE	PRICE
Specify Glass Thickness and Fixing Type	Stainless Steel 316	446/4M	



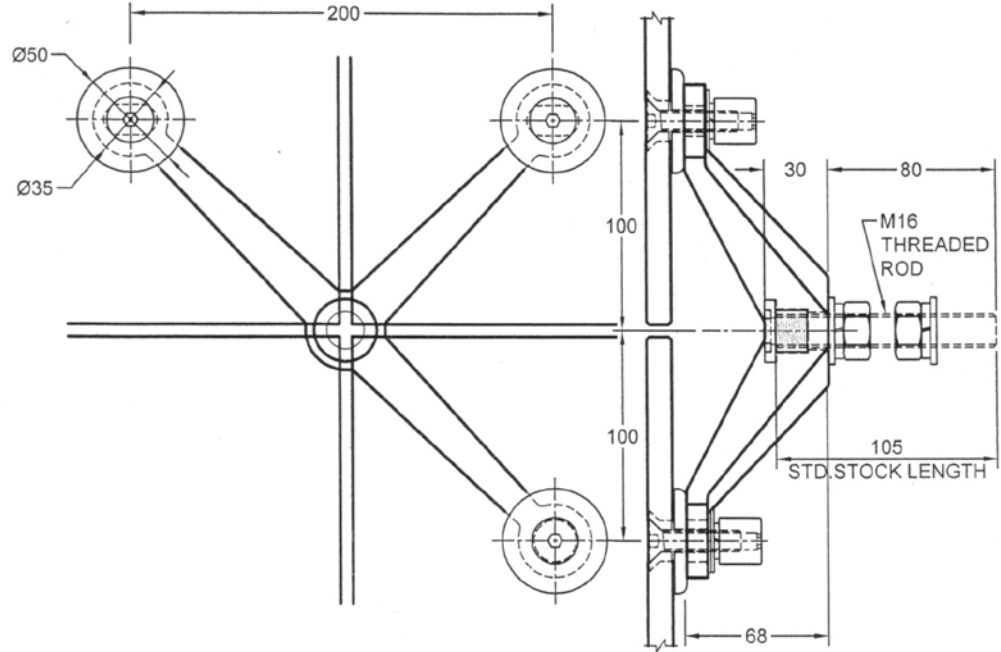
Specify Glass Thickness and Fixing Type	Stainless Steel 316	446/4M/2	
---	---------------------	----------	--



# HEAVY DUTY SPIDER 446/4M

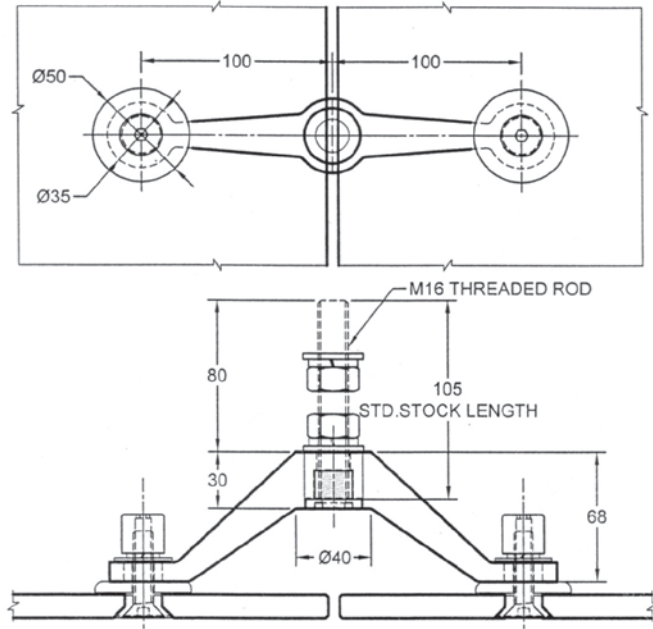
DESCRIPTION	COLOUR	CODE	PRICE
Specify Glass Thickness and Fixing Type	Stainless Steel 316	446/4M/3	

**PLEASE NOTE: Item not readily stocked. Allow lead time for delivery of parts.**

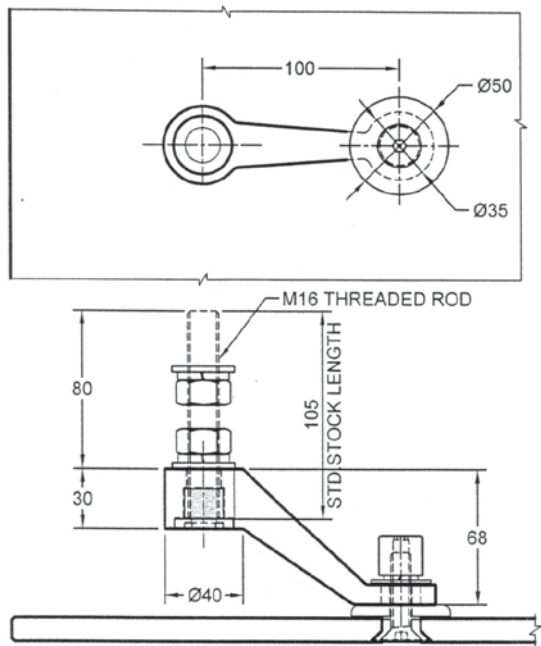


# HEAVY DUTY SPIDER 446/2M

DESCRIPTION	COLOUR	CODE	PRICE
Specify Glass Thickness and Fixing Type	Stainless Steel 316	446/2M	

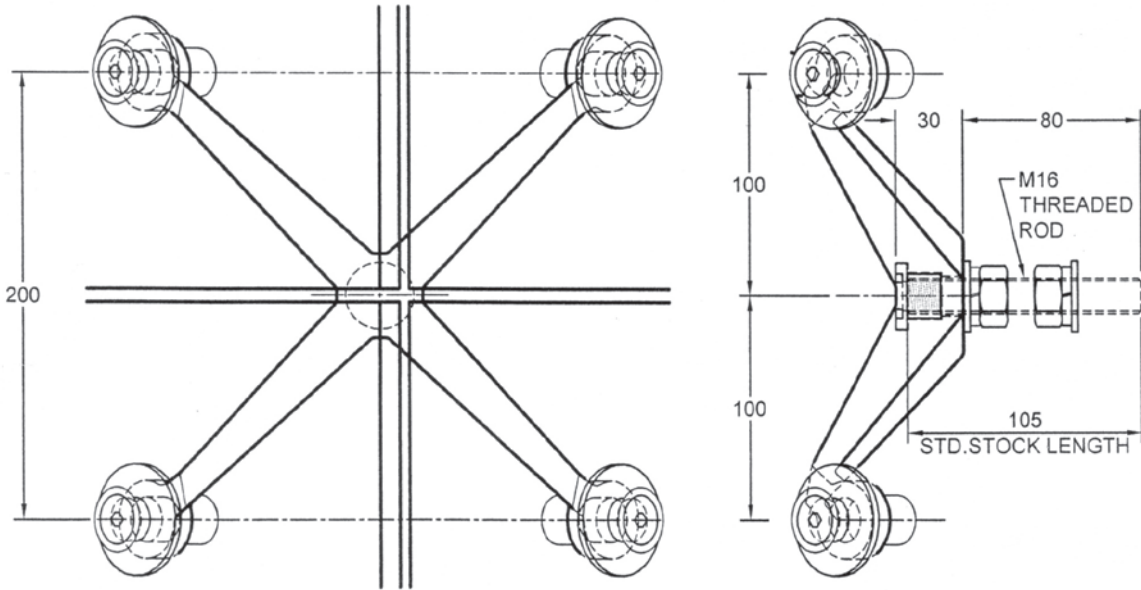


Specify Glass Thickness and Fixing Type	Stainless Steel 316	446/2M/1	
---	---------------------	----------	--



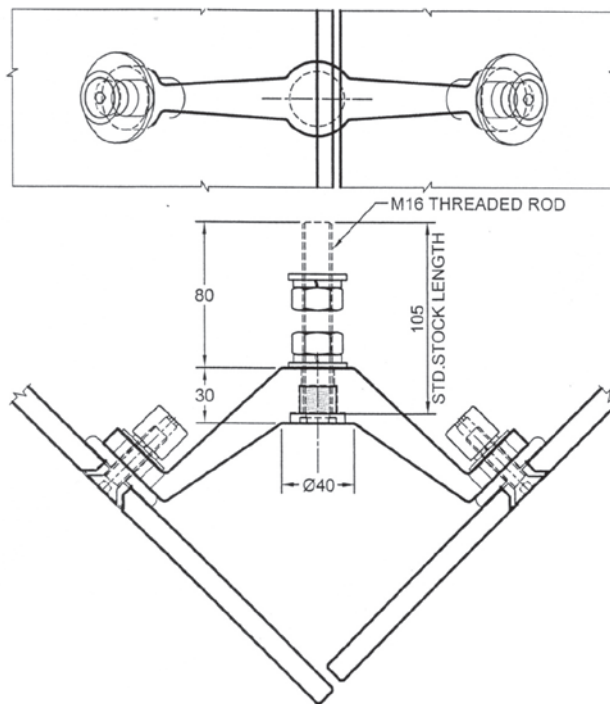
# HEAVY DUTY SPIDER 446/4M/90°

DESCRIPTION	COLOUR	CODE	PRICE
Specify Glass Thickness and Fixing Type	Stainless Steel 316	446/4M/90°	



# HEAVY DUTY SPIDER 446/2M/90°

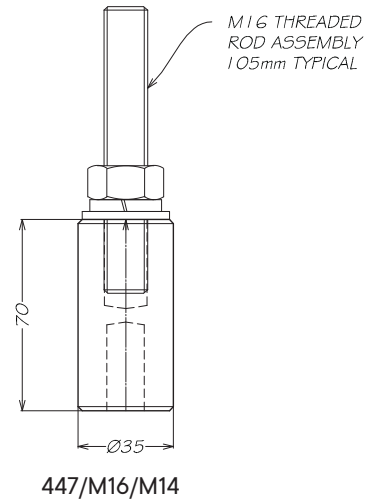
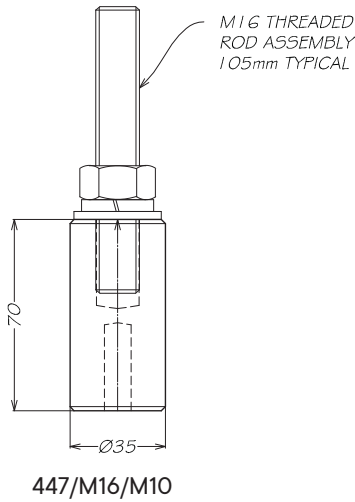
DESCRIPTION	COLOUR	CODE	PRICE
Specify Glass Thickness and Fixing Type	Stainless Steel 316	446/4M/90°	





# STAND OFF SPIDER

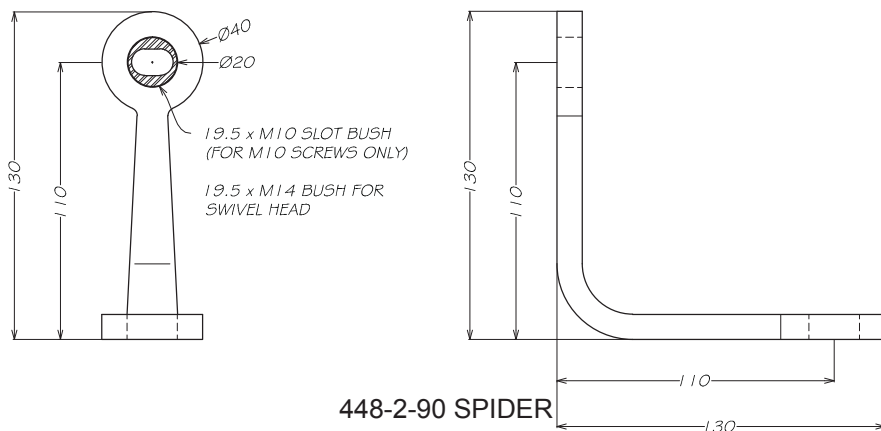
DESCRIPTION	COLOUR	CODE	PRICE
Specify Glass Thickness and Fixing Type	Stainless Steel 316	447/M16/M10	
Specify Glass Thickness and Fixing Type	Stainless Steel 316	447/M16/M14	



# SPECIAL SPIDER SERIES

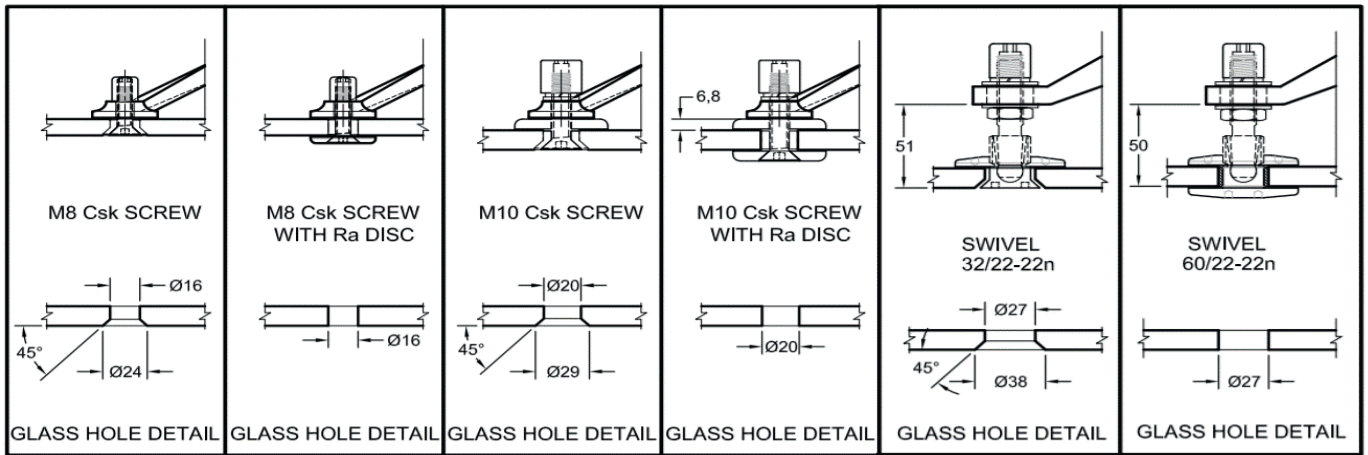
DESCRIPTION	COLOUR	CODE	PRICE
Specify Glass Thickness and Fixing Type	Stainless Steel 316	448/2/90°	

**PLEASE NOTE: Item not readily stocked. Allow lead time for delivery of parts.**

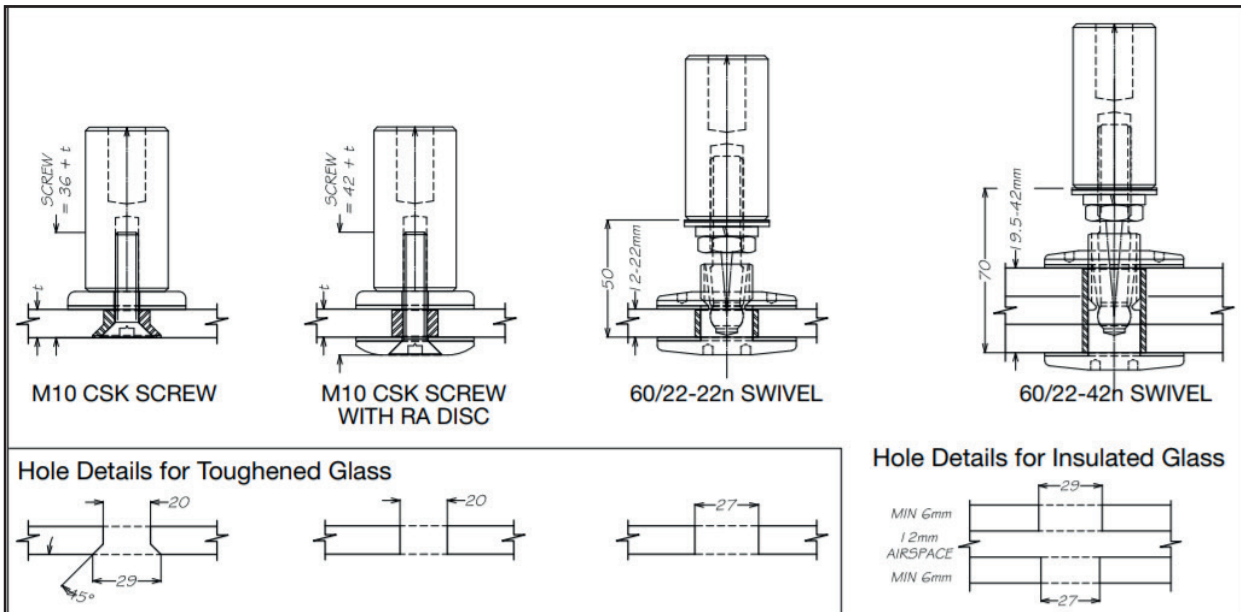


# SPIDERS - Glass Preparation Diagrams

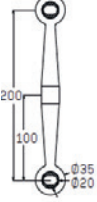



Light and Heavy Duty Spiders - Glass Cutouts



# STAND OFF SPIDER - Glass Cutouts



# SPIDER FITTINGS (HEAVY DUTY)

PRODUCT	DESCRIPTION	COLOUR	CODE	PRICE	
<b>SPIDER, 448/2</b> <b>Special series</b>  	M10 Countersunk Screw	SSS	500239		
	M10 Ra Disc	SSS	500240		
	Swivel 32/22 22N	SSS	500695		
	Swivel 60/22-22n	SSS	500237		
	Swivel 60/22-42n	SSS	500238		
	M10 Countersunk Screw	PSS	500691		
	M10 Ra Disc	PSS	500692		
	Swivel 32/22 22N	PSS	500696		
	Swivel 60/22-22n	PSS	500693		
	Swivel 60/22-42n	PSS	500694		
	<b>SPIDER ALPHALINK,</b> <b>AG150 SS</b>  	With CSK Disc	PSS	501222	
		With CSK Disc	SSS	501223	
		With Stepped Disc	PSS	501220	
With Stepped Disc		SSS	501221		

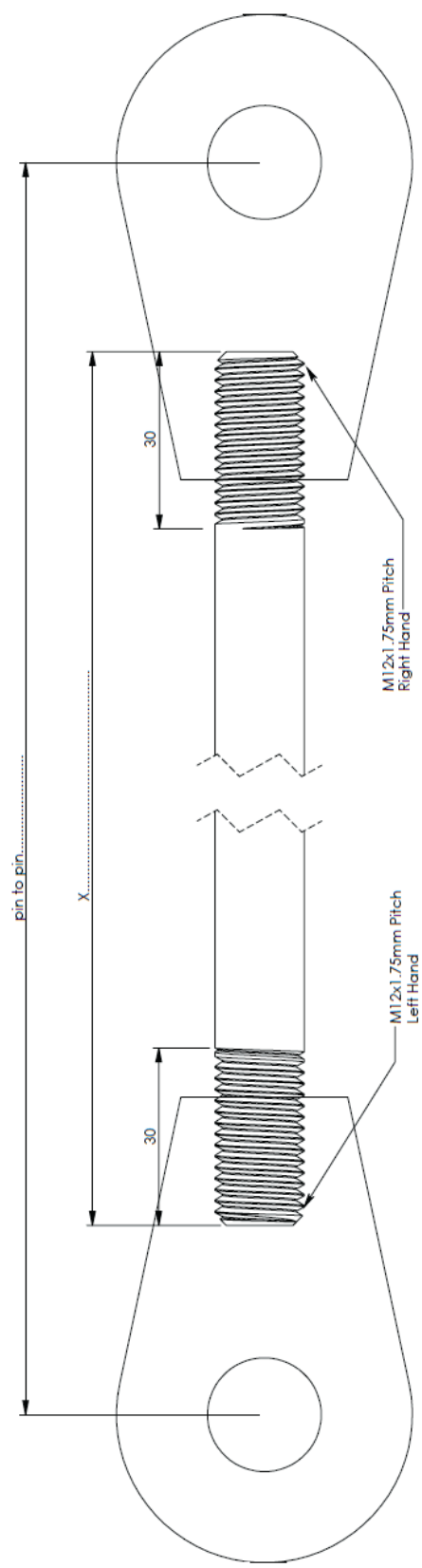
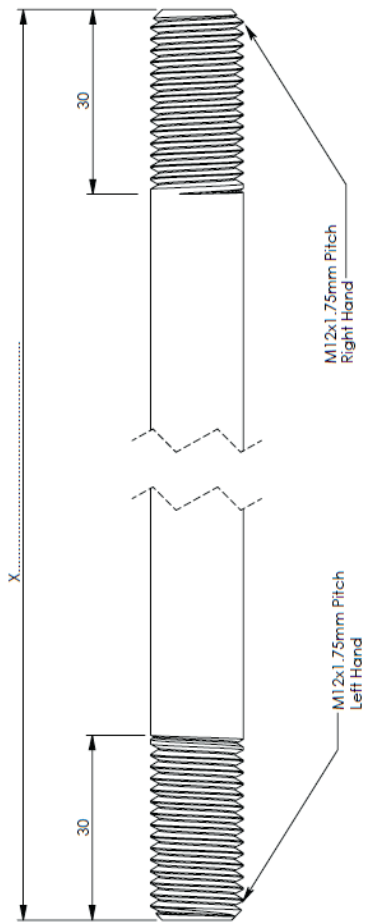
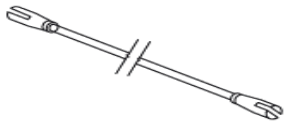
**SSS** Satin Stainless Steel    **PSS** Polished Stainless Steel

# AUSTVISION TIEROD CANOPY SYSTEM

## Tierod Length Deduction Form

Traditional length calculated as follows:

Length (x) = pin to pin - 68mm




Pin to Pin Measurement =

Length (X) =

Note: Austvision Tierod Systems require specific design on a project basis subject to design loads.

# AUSTVISION SPIDERTRUSS – SYSTEM FITTINGS & COMPONENTS

PRODUCT	DESCRIPTION	COLOUR	CODE	PRICE
<b>CANOPY, Tie Rod End TRE</b> 	M10 Left hand	SSS	300254	
	M10 Right hand	SSS	300255	
	M12 Left hand	SSS	300256	
	M12 Right hand	SSS	300257	
	M14 Left hand	SSS	300258	
	M14 Right hand	SSS	300259	
	M16 Left hand	SSS	300261	
	M16 Right hand	SSS	300262	
	M20 Left hand	SSS	300263	
	M20 Right hand	SSS	300264	
	M25 Left hand	SSS	302174	
	M25 Right hand	SSS	301660	
	12S M16 Left hand	SSS	301656	
	12S M16 Right hand	SSS	301657	

NOTE: Connection to the truss is via a Austvision 446 series heavy duty spider fitting, and glass fittings can be countersunk, disc or swivel to suit the application and glass thickness (See Frameless Glass Canopies Section)

**SSS** Satin Stainless Steel



**0800 404 043**  
**opushardware.com**

