



Moritz EN3 Hydraulic Patch (Standard Strength Self-Closing Patch)

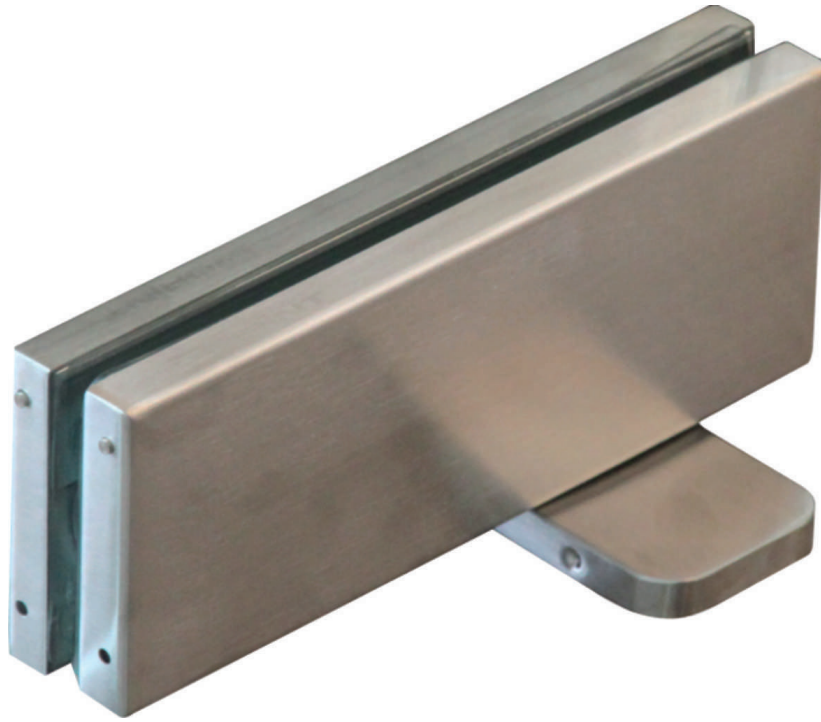
Moritz EN3 is the latest and one of the most innovative Bottom Patch fittings for frameless glass doors that comes with an in-built hydraulic system. The products under this range do not require any cavity to be made in the floor for installation. Hence, no digging, no cutting of the floor is required, making the installation quick & easy.

The Moritz Hydraulic Patch Fitting is surface mounted directly to the floor making it easy to install and thus a more cost effective option for doors. Direct mounting to the floor is done with an adjustable base plate and this removes the need for pre-casting or cutting floor spring boxes, which is a slow messy process creating concrete dust and potentially weakening the floor slab.

The Moritz's innovation is in the hydraulic closer mechanism which fits within the patch fitting, and allows closing adjustment like a floor spring. The closer mechanism can be non hold open or be 90 degree hold open.

The patch fitting comes with a 304 satin stainless steel cover (PSS, SSS or PC - POA) for internal use.

The Moritz Hydraulic Patch Fitting is suitable for internal doors up to 1000mm wide made from 8 to 12mm Toughened Toughened Safety Glass up to 100kg maximum weight.



Key Features

- ▶ Suitable door weight: Max 100kg.
- ▶ Suitable door width: 750-1000mm.
- ▶ Suitable door thickness: 8-12mm Toughened Safety Glass.
- ▶ Ambient temperature: 20°C - +50°C.
- ▶ Hold open 90° (Non Hold Open also available).
- ▶ No need to have the pre-set on the floor.
- ▶ Easy installation with base seat adjustable ±3mm backward and forward ±3mm left and right and 4° alignment adjustment.
- ▶ Double Action 150° Movement.
- ▶ 2 Stage Speed Adjustment.
- ▶ The Moritz Hydraulic Patch Fitting is a new innovation for self closing frameless internal glass doors.

Types

- ▶ Moritz EPCHO – Hold open – 90 degree.
- ▶ Moritz EPCNHO – Non hold open.

Material Finish

- ▶ Satin or Polished Stainless Steel.
- ▶ Powdercoated on request. Note: Powder coating is available in a wide range of colours with commercially available surface integrity warranties from 10 to 30 years.

Scope of Use

- ▶ Designed for use in Germ and Bacteria Free environments such as hospitals and restaurants.
- ▶ Ensures no dust/water accumulation under the door or below the floorspring plate.
- ▶ Extremely useful in places requiring regular floor washing and mopping.

Support Inquiries

- ▶ Opus Hardware phone (0800 40 40 43) or email sales@opushardware.co.nz

Moritz EN3 - EPC

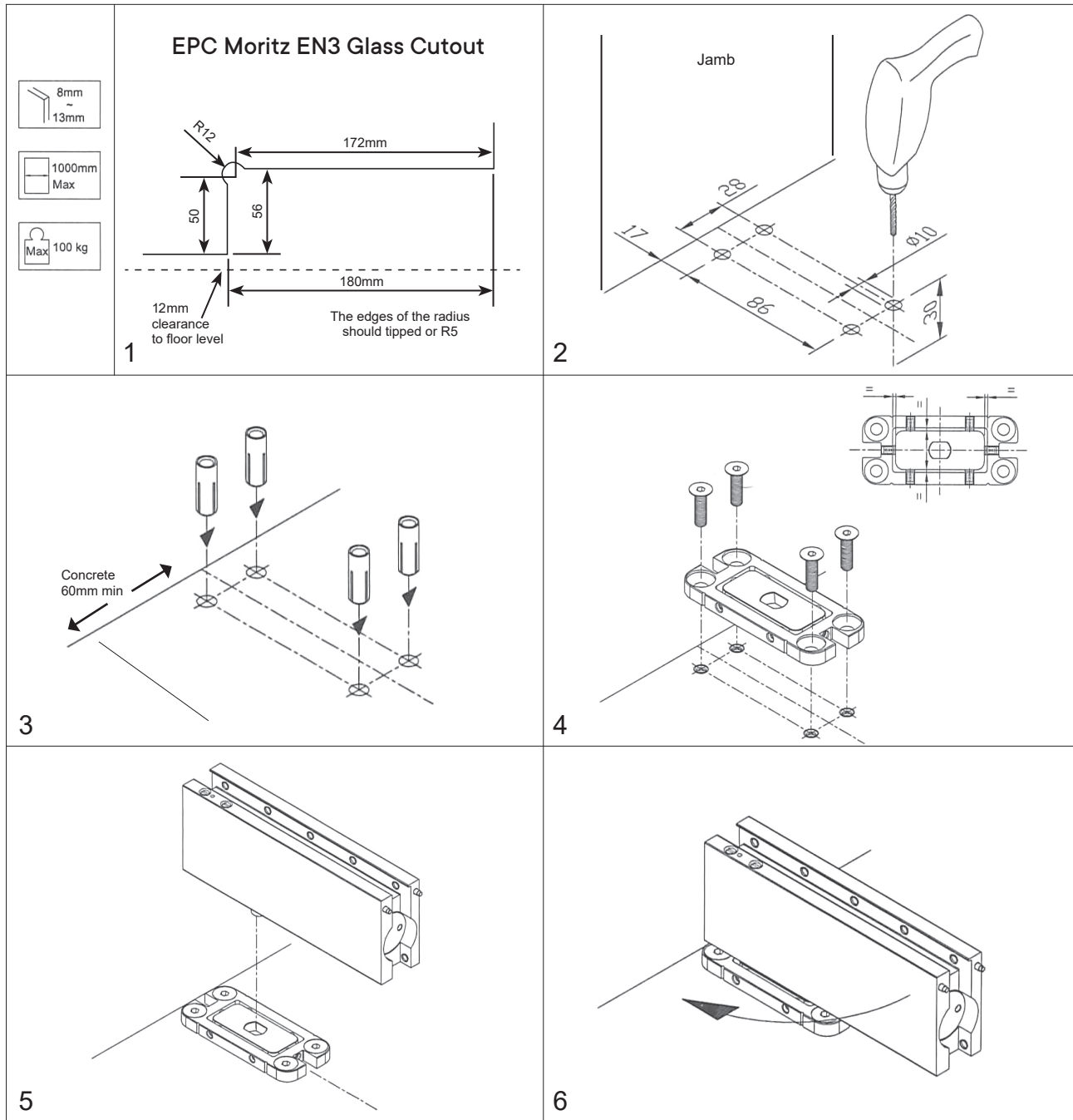
SUITABLE FOR INTERNAL ONLY. MAXIMUM Door weight 100kg. Suitable for Door Width 750-1000mm.

Nominal Glass Thickness (mm)	MAXIMUM Door Heights Span (mm) for Wind Zones																	
	Internal 0.5kPa			Low 0.72 kPa			Medium 0.96 kPa			High 1.36 kPa			Very High 1.76 kPa			Extra High		
	H	W	Suits	H	W	Suits	H	W	Suits	H	W	Suits	H	W	Suits	H	W	Suits
8mm Toughened	2000	1000	Yes			No			No			No			No			No
10mm Toughened	2400	1000	Yes			No			No			No			No			No
12mm Toughened	2800	1000	Yes			No			No			No			No			No

COMMERCIAL DOORS

Installation / Fitting Instructions

Moritz EN3 Hydraulic Closer



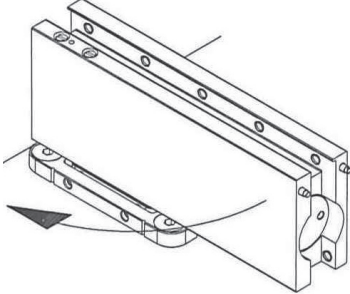
Once the patch is at 90° to the base the gaskets can be added and the door slid onto the patch and clamped in place by tightening up the screws on the side.

The door speed and brake speed can then be adjusted to suit your requirements, then the cover caps clipped in place to complete the installation.

COMMERCIAL DOORS

Installation / Fitting Instructions

Moritz EN3 Hydraulic Closer

Product	Code	Description	Finish
	EPCHO EPCHOSS = SSS EPCHOPS = PSS	Moritz Self Closing Hydraulic Patch 90° Hold Open	SSS, PSS or PC POA
	EPCNHO EPCNHOSS = SSS EPCNHOPS = PSS	Moritz Self Closing Hydraulic Patch Non Hold Open	SSS, PSS or PC POA

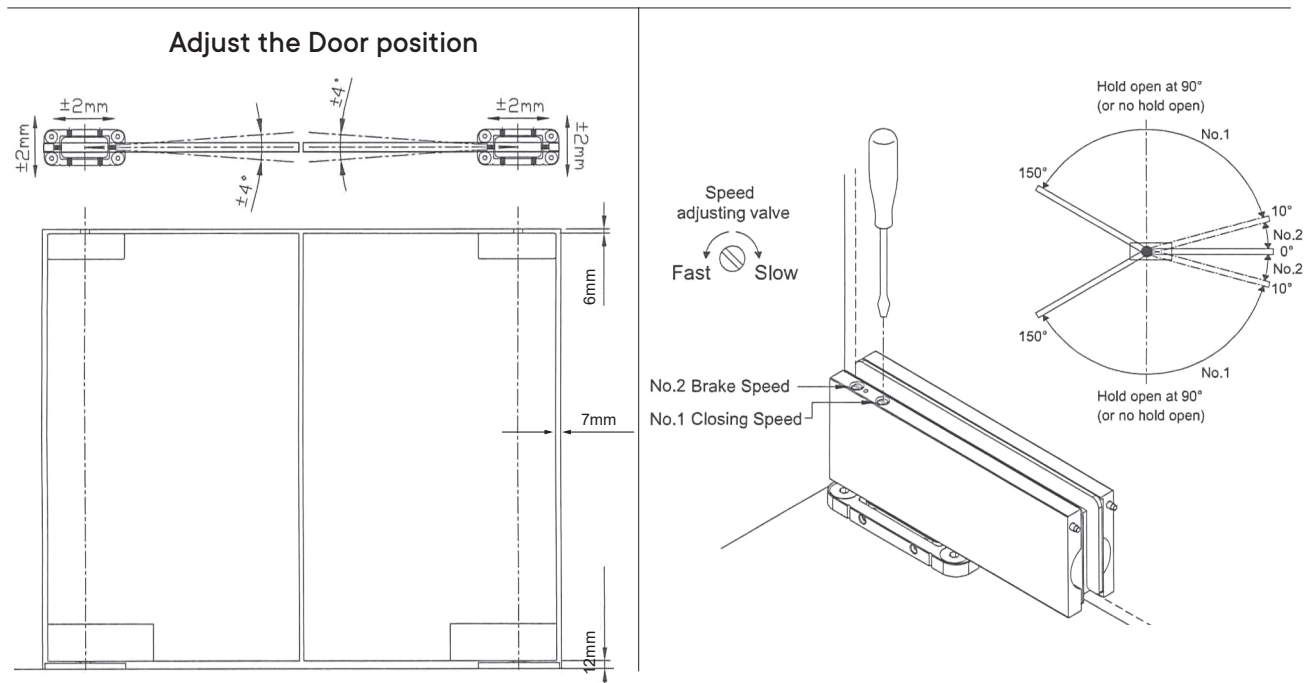
Self closing floor mounted patch fitting for internal Frameless Glass doors up to 1000mm wide.

Simple installation with four screw fixings into any floor. Adjustable base plate for easy alignment of the door in either direction shown in diagram below.

Suitable for single or double action doors. Used in conjunction with standard HPT20 top patch fitting. Two speed closing adjustment as shown below.

Suits toughened frameless glass doors from 8mm - 12mm thick with a maximum door weight of 100kg's.

Not recommended for use with Maglocks.





Moritz EN5 Hydraulic Patch (High Strength Self-Closing Patch)

Moritz EN3 is the latest and one of the most innovative Bottom Patch fittings for frameless glass doors that comes with an in-built hydraulic system. The products under this range do not require any cavity to be made in the floor for installation. Hence, no digging, no cutting of the floor is required, making the installation quick & easy.

The Moritz Hydraulic Patch Fitting is surface mounted directly to the floor making it easy to install and thus a more cost effective option for doors. Direct mounting to the floor is done with an adjustable base plate and this removes the need for pre-casting or cutting floor spring boxes, which is a slow messy process creating concrete dust and potentially weakening the floor slab.

The Moritz's innovation is in the hydraulic closer mechanism which fits within the patch fitting, and allows closing adjustment like a floor spring. The closer mechanism can be non hold open or be 90 degree hold open.

The patch fitting comes with a 304 satin stainless steel cover (PSS, SSS or PC - POA) for internal use.

The Moritz Hydraulic Patch Fitting is suitable for internal up to 1250mm wide maximum and external doors up to 1000mm wide maximum, made from 10 to 15mm Toughened Safety Glass up to 100kg maximum weight.



Key Features

- ▶ Suitable door weight: Max 100kg.
- ▶ Suitable door width: 750-1250mm (Internal 1250mm max) (External 1000mm Max)
- ▶ Suitable door thickness: 10-15mm Toughened Safety Glass
- ▶ Ambient temperature: 20°C~+50°C
- ▶ Hold open 90° (Non Hold Open also available)
- ▶ No need to have the pre-set on the floor
- ▶ Easy installation with base seat adjustable ±3mm backward and forward ±3mm left and right and 4° alignment adjustment
- ▶ Double Action 150° Movement
- ▶ 2 Stage Speed Adjustment.
- ▶ The Moritz HS is a high strength hydraulic patch fitting for self closing frameless glass doors.

Types

- ▶ Moritz EPCHDHO – Hold open – 90 degree.
- ▶ Moritz EPCHDNHO – Non hold open.

Material Finish

- ▶ Satin or Polished Stainless Steel
- ▶ Powdercoated on request. Note: Powder coating is available in a wide range of colours with commercially available surface integrity warranties from 10 to 30 years.

Scope of Use

- ▶ Designed for use in Germ and Bacteria Free environments such as hospitals and restaurants.
- ▶ Ensures no dust/water accumulation under the door or below the floorspring plate.
- ▶ Extremely useful in places requiring regular floor washing and mopping.

Support Inquiries

- ▶ Opus Hardware phone (0800 40 40 43) or email sales@opushardware.co.nz

Moritz EN5 - EPCHD

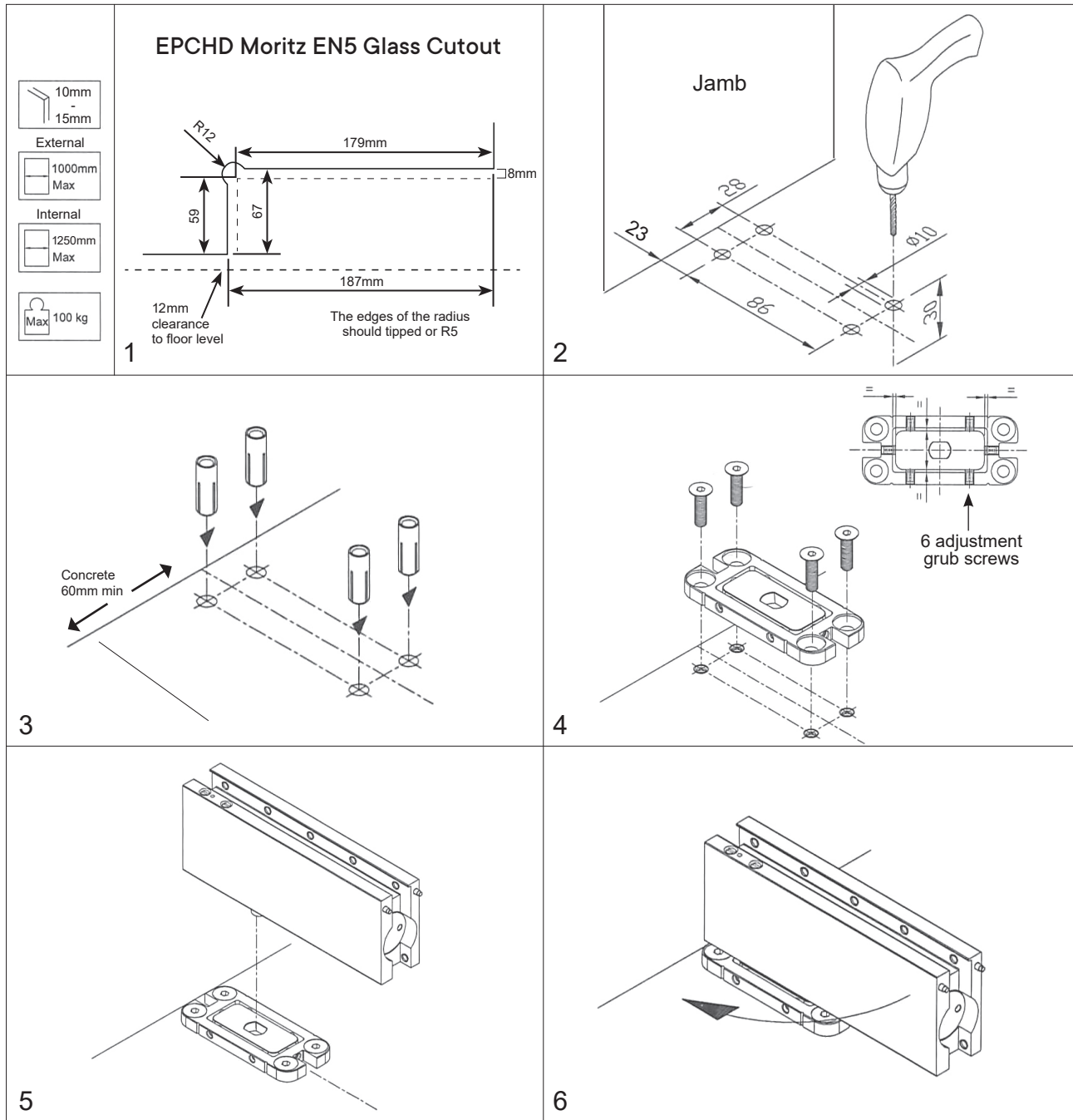
SUITABLE FOR INTERNAL AND EXTERNAL DOORS. MAXIMUM Door weight 100kg. Suitable for Door Width 750~1250mm.

Nominal Glass Thickness (mm)	MAXIMUM Door Heights Span (mm) for Wind Zones																	
	Internal 0.5kPa			Low 0.72 kPa			Medium 0.96 kPa			High 1.36 kPa			Very High 1.76 kPa			Extra High		
	H	W	Suits	H	W	Suits	H	W	Suits	H	W	Suits	H	W	Suits	H	W	Suits
10mm Toughened	2400	1250	Yes	2200	1000	No	2000	1000	No	1800	1000	No						
12mm Toughened	2800	1190	Yes	2600	1000	No	2400	1000	No	2200	1000	No	2000	1000	No			
15mm Toughened	3600	740	Yes	3400	784	Yes	3200	833	Yes	2800	952	Yes	2400	1000	Yes			

COMMERCIAL DOORS

Installation / Fitting Instructions

Moritz EN5 Hydraulic Closer



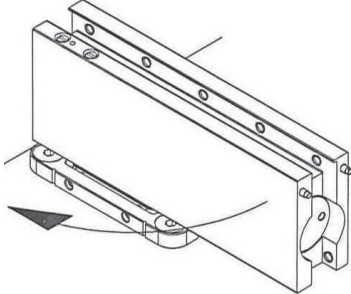
Once the patch is at 90° to the base the gaskets can be added and the door slid onto the patch and clamped in place by tightening up the screws on the side.

The door speed and brake speed can then be adjusted to suit your requirements, then the cover caps clipped in place to complete the installation.

COMMERCIAL DOORS

Installation / Fitting Instructions

Moritz EN5 Hydraulic Closer

Product	Code	Description	Finish
	EPCHDHO EPCHDHOSS = SSS EPCHDHOPS = PSS	Moritz HD Self Closing Hydraulic Patch 90° Hold Open	SSS, PSS or PC POA
	EPCHDNHO EPCHDNHOSS = SSS EPCHDNHOPS = PSS	Moritz HD Self Closing Hydraulic Patch Non Hold Open	SSS, PSS or PC POA

EPCHD Moritz high strength floor mounted patch fitting suitable for both internal and external doors.

Internal door max width = 1250mm External door max width = 1000mm

Simple installation with four screw fixings into any floor. Adjustable base plate for easy alignment of the door in either direction shown in diagram below.

Suitable for single or double action doors. Used in conjunction with standard HPT20 top patch fitting. Two speed closing adjustment as shown below.

Suits toughened frameless glass doors from 10mm - 15mm thick with a maximum door weight of 100kg's.

Not recommended for use with Maglocks.

