

**SECTION 4  
SLIDING DOOR  
SYSTEMS**



**Wholesale Price List OCT 2023**

[www.opushardware.com](http://www.opushardware.com)


# PRODUCT OVERVIEW | SLIDING DOOR SYSTEMS

## Sliding Door Systems

Choosing the right sliding door systems can make all the difference – not only for the look of your shower or residential/commercial door, but also in terms of its functionality and security. There are a number of systems available with different sliding and rolling applications to suit your project.



## SECTION 4 | SLIDING DOOR SYSTEMS

Product	Page
Apex Soft Close Sliding Door System 	3 - 5
MF250 Top Hung Glass Slide System <b>(Heavy Duty)</b>	6 - 7
MRS90 Bottom Sliding Glass Slide	8 - 9
Linear Bottom Roller System	10 - 11
EuroRoller Bottom Sliding System	12 - 13
Sienna SN120 Point Fix Tubular Sliding Door System	14 - 15
Exposed Sliding Shower System Kits	16
Eclipse Concealed Slider System	17

## Product availability

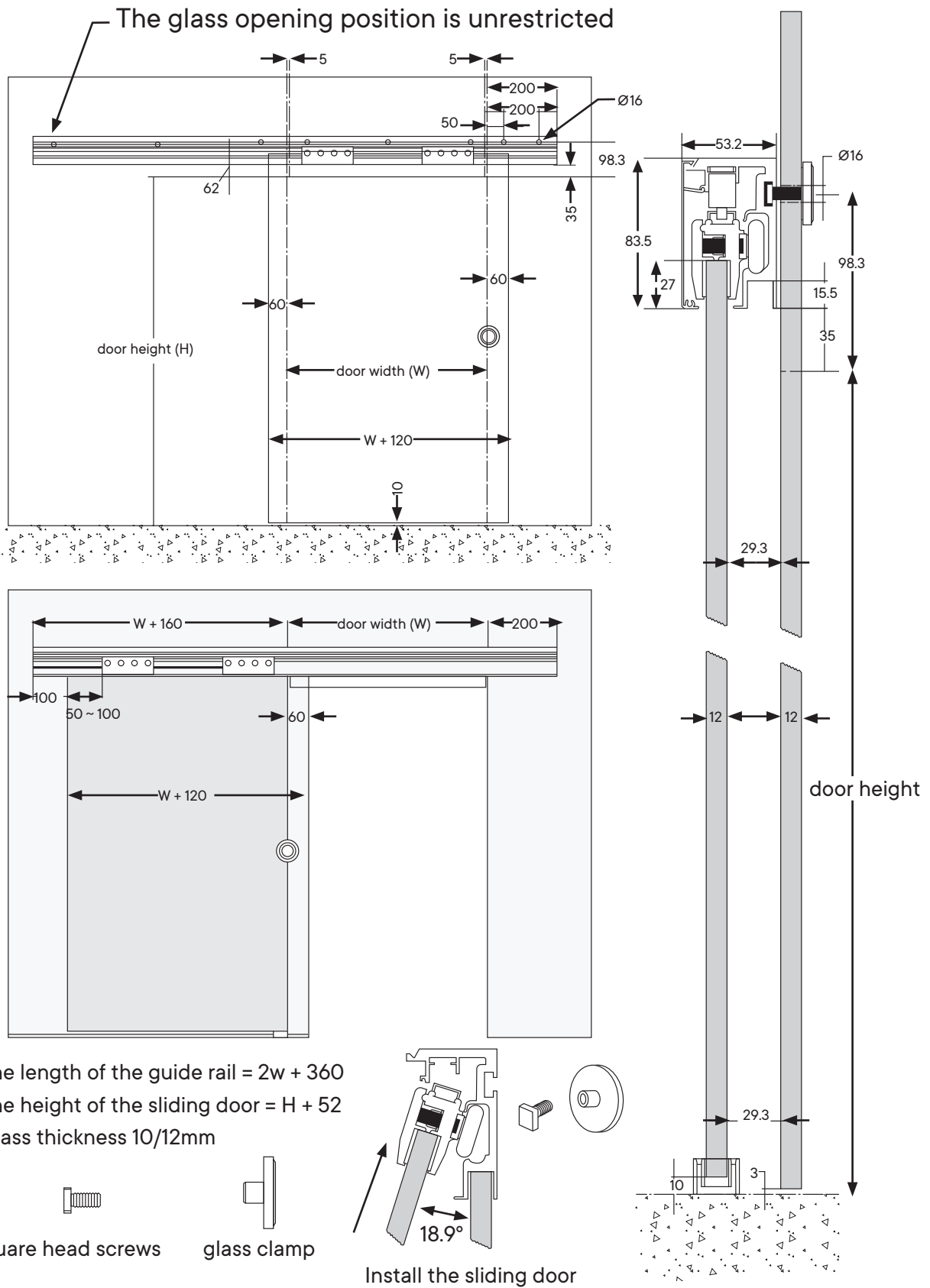
 <b>Popular Item</b> (Usually readily available, ex stock)	 <b>Slower Mover</b> (Check stock status)	 <b>Limited Stocks Available</b>
---	--	---

\*Please note, availability chart is only an indication of stock expectation and is not guaranteed. (Unforeseen/unusual demand or popularity can affect stock levels)

# PRODUCT OVERVIEW | APEX SLIDING DOOR

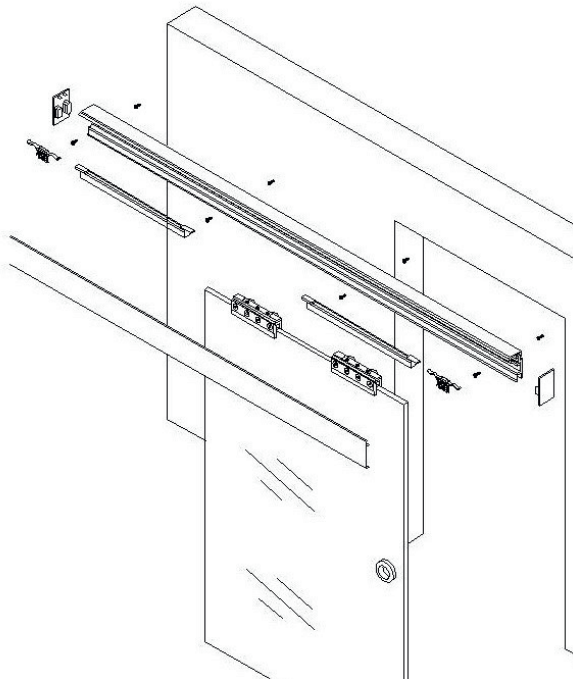
## SOFT CLOSE SLIDING DOOR APEX SLIDING KIT

# APEX SLIDING DOOR SYSTEM - GLASS DETAIL



# APEX SLIDING DOOR

PRODUCT	DESCRIPTION	CODE	PRICE
---------	-------------	------	-------



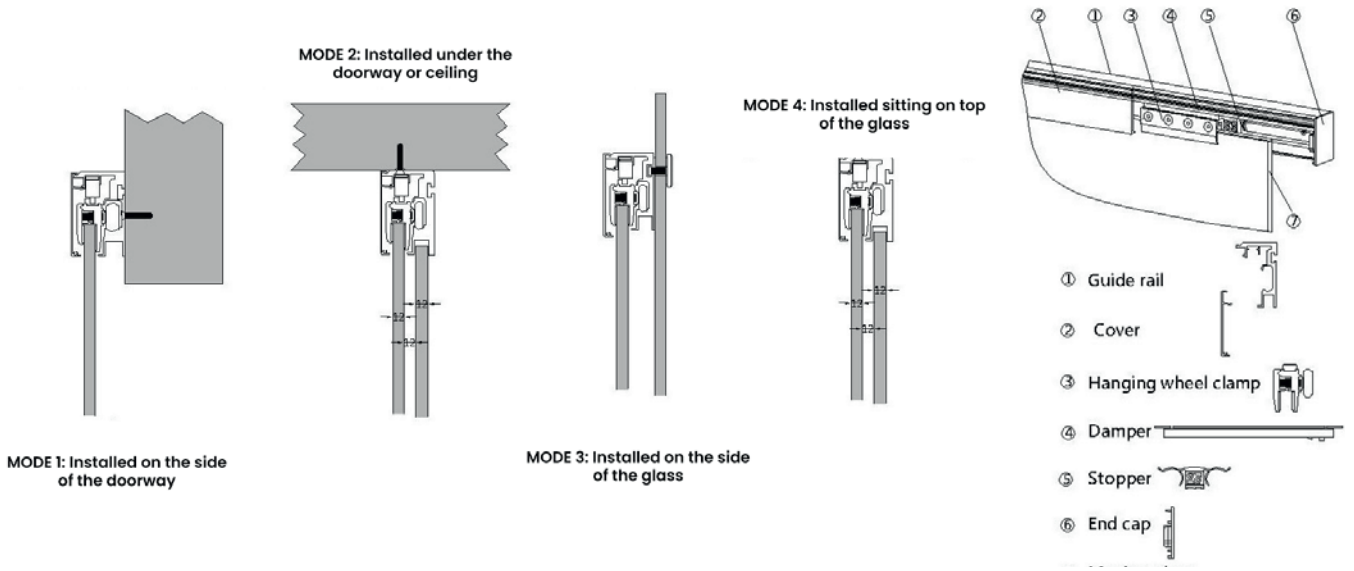
## APEX Soft Close Sliding door kit

The Apex Soft Close Sliding door kits are designed for popular glass sliding doors in homes, offices and customer facing displays. Designed to work with 10-12mm glass and smooth running, hydraulic soft close feature makes this a popular well priced solution. No holes or cut-outs are required in the glass making it a simple, fast and cost-effective system.

The Slim 83 x 53mm sliding track profile is designed to accommodate for top fixing, side fixing, or sidelight glass mounting and is supplied in a ANO or Black finish track, plastic end caps, 2 x door guides, 2 x soft close and wheel runner kits and stoppers along with a finger pull and fixings. Maximum door weight 120 kgs.



<b>APEX-2000 Soft Close Sliding Door Kit (2000mm Track)</b>	<b>Brushed Stainless Finish</b>	AP2000-BS	●
	<b>Matt Black Finish</b>	AP2000-BK	●
<b>APEX-4000 Soft Close Sliding Door Kit (4000mm Track)</b>	<b>Brushed Stainless Finish</b>	AP4000-BS	●
	<b>Matt Black Finish</b>	AP4000-BK	●



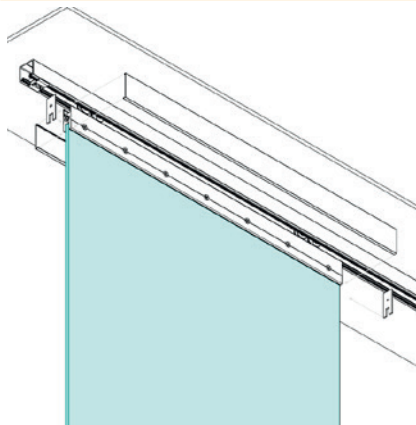
# PRODUCT OVERVIEW | MF250 GLASS SLIDE



## TOP HUNG SLIDING RAIL MF250 GLASS SLIDE

# MF250 GLASS SLIDE

PRODUCT	DESCRIPTION	CODE	PRICE
---------	-------------	------	-------

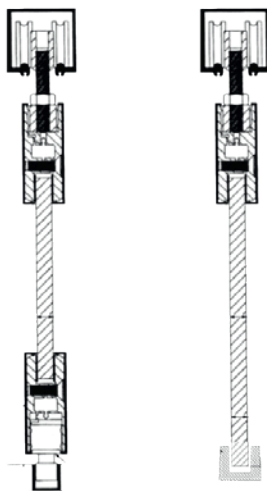








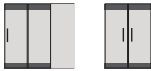
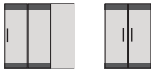
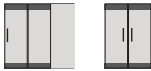



## MF250 Top Hung Glass Slide System

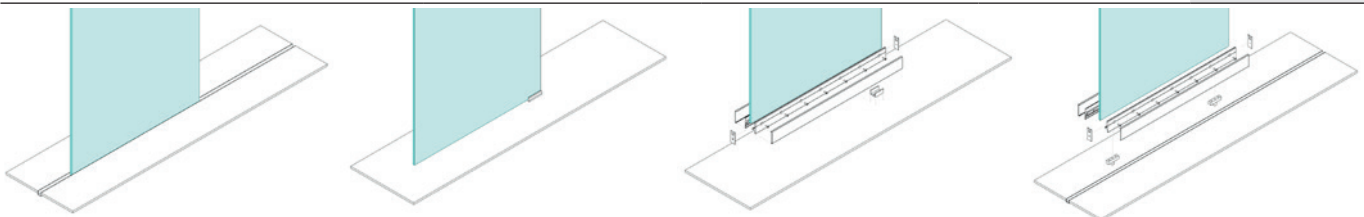
The Opus MF250 Top Hung Rail Sliding System incorporates roller hangers into our door rails that run through a 50x50mm top track to provide a smooth top hung sliding solution. The MF250 Glass Slide is designed for internal and selected external applications. Kits include Door rails complete, manufactured and assembled and supplied with top roller tracks, frameless/recessed channel guides (where required). All supplied ready for a quick and easy installation. No cutouts in glass required.

To be used with 10–12mm glass or larger (15–19mm) on request (Please specify on order). Max door weight up to 250kg (Can be customized to suit larger applications on request)

- Please specify glass type and weight
- Please specify overall rail length/s required
- ANO Natural Finish (Powdercoating Available P.O.A)



<b>Single Door Kit</b> <b>(Bottom Rail Guide).</b>	 1x Door up to 1000mm (Track 2000mm)	MF250SD1-1000	●
	 1x Door up to 1500mm (Track 3000mm)	MF250SD1-1500	●
	 1x Door up to 2000mm (Track 4000mm)	MF250SD1-2000	●
<b>Single Door Kit</b> <b>(Frameless Guide).</b>	 1x Door up to 1000mm (Track 2000mm)	MF250SD2-1000	●
	 1x Door up to 1500mm (Track 3000mm)	MF250SD2-1500	●
	 1x Door up to 2000mm (Track 4000mm)	MF250SD2-2000	●
<b>Double Door Kit</b> <b>(Bottom Rail Guide).</b>	 2x Doors up to 1000mm (1x 4000mm Track)	MF250DD1-1000	●
	 2x Doors up to 1500mm (1x 6000mm Track)	MF250DD1-1500	●
	 2x Doors up to 2000mm (2x 4000mm Tracks)	MF250DD1-2000	●
<b>Double Door Kit</b> <b>(Frameless Guide).</b>	 2x Doors up to 1000mm (1x 4000mm Track)	MF250DD2-1000	●
	 2x Doors up to 1500mm (1x 6000mm Track)	MF250DD2-1500	●
	 2x Doors up to 2000mm (2x 4000mm Tracks)	MF250DD2-2000	●



# PRODUCT OVERVIEW | MRS90 GLASS SLIDE



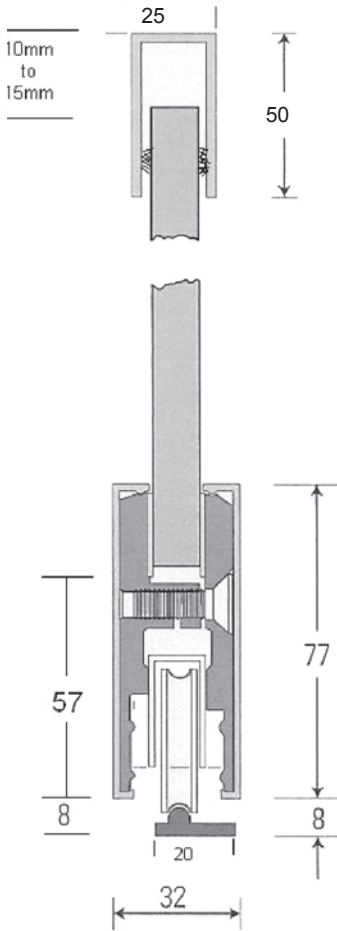
## BOTTOM SLIDING RAIL MRS90 GLASS SLIDE



# MRS90 GLASS SLIDE

PRODUCT	DESCRIPTION	CODE	PRICE
---------	-------------	------	-------

## MRS90 Bottom Rail Sliding System



The Opus MRS90 Bottom Rail Sliding System incorporates nylon/steel roller carriages into our door rails to provide a smooth and simple rolling solution for a bottom sliding system. Door rails come complete, assembled and supplied with top channels & woolpile ready for a quick and easy installation.  
 Can be used with 10 or 12mm glass (Please specify on order).  
 Max door weight up to 180kg (Can be customized to suit larger applications on request)  
 Powdercoating on request is available.

### Single Door Kit up to 1250mm Wide

Sliding Rail kit supplied with 4mtr Bottom track, 5mtr Top channel and woolpile, 2x door stops in ANO Natural Finish.  
 - Please specify glass type and weight  
 - Please specify overall rail length required

MRS90-1250-1



### Double Door Kit up to 1250mm Wide

Sliding Rails supplied with 6mtr Bottom track, 2x 5mtr Top channel and woolpile, 4x door stops in ANO Natural Finish.  
 - Please specify glass type and weight  
 - Please specify overall rail lengths required

MRS90-1250-2



### Custom Door Kits

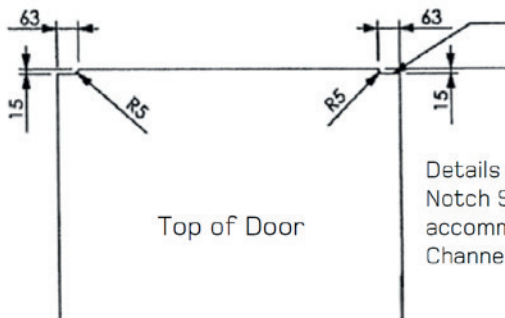
Can be designed with multiple lines of track for several doors opening in the same direction and biparting applications.

MRS90-CUSTOM



### Bottom Lock with Keeper

MRS90-L



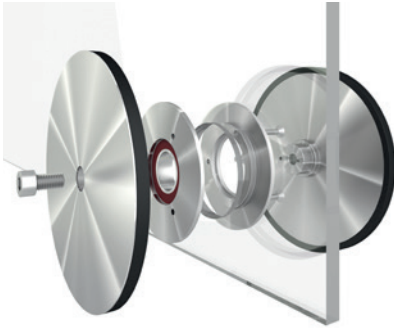
Details of top of Door.  
 Notch Setout to accommodate top Channel Stops.



## BOTTOM ROLLER WHEEL SYSTEM LINEAR ROLLING KIT

# LINEAR ROLLING KIT

PRODUCT	DESCRIPTION	FINISH	CODE	PRICE
---------	-------------	--------	------	-------

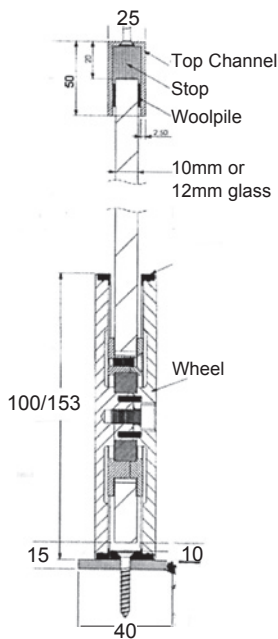


## Bottom Wheel Roller Sliding Door System

The Linear sliding door system is a bottom roller sliding frameless glass door system. This frameless sliding door hardware features Linear wheels fitted directly to the 10/12mm Glass that are run on special tracks to allow a very modern frameless glass effect. The floor is load-bearing and the head structure does not need to carry the weight of large doors. Individual fittings available on request. System can be used with multiple lines of track for several doors opening in the same direction and biparting applications.

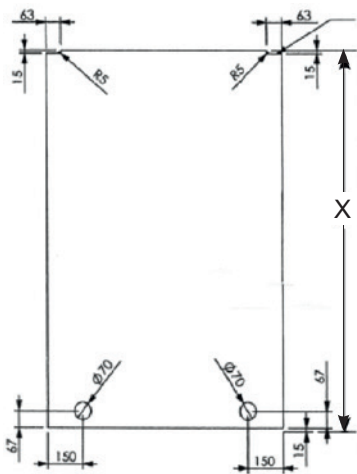
Specify 10mm or 12mm glass thickness on order.

- Each door kit contains:  
 2 x Wheels Stainless Steel  
 2 x Top Channel stops  
 1 x Top Channel & Woolpile 5mtr  
 1 x Bottom Track

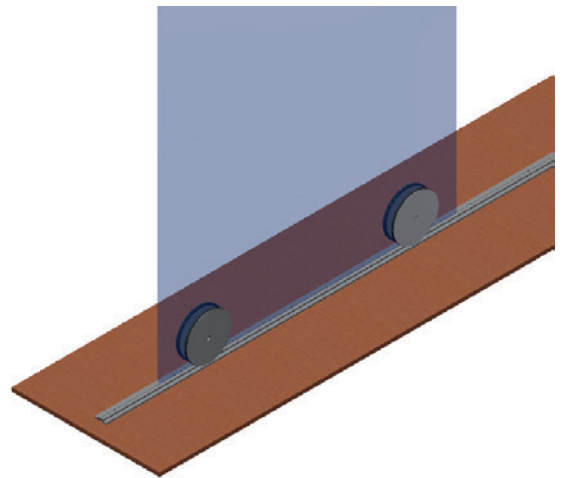
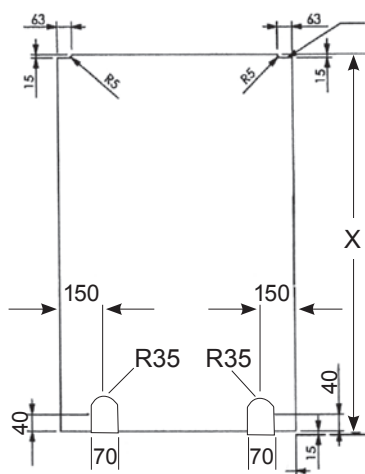


<b>L100 KIT</b> Max door weight 170kg	1000mm Wide (Track 2000mm)	ANO	L100-1000-ANO	●
		BLACK	L100-1000-BLK	●
	1500mm Wide (Track 3000mm)	ANO	L100-1500-ANO	●
		BLACK	L100-1500-BLK	●
<b>L153 KIT</b> Max door weight 250kg	2000mm Wide (Track 5000mm)	ANO	L100-2000-ANO	●
		BLACK	L100-2000-BLK	●
	1000mm Wide (Track 2000mm)	ANO	L153-1000-ANO	●
		BLACK	L153-1000-BLK	●
	1500mm Wide (Track 3000mm)	ANO	L153-1500-ANO	●
		BLACK	L153-1500-BLK	●
	2000mm Wide (Track 5000mm)	ANO	L153-2000-ANO	●
		BLACK	L153-2000-BLK	●

Glass Set Out L153



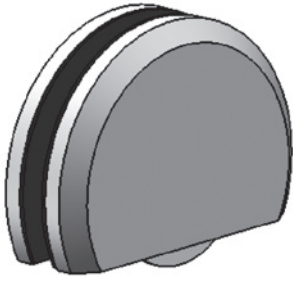
Glass Set Out L100



BOTTOM ROLLER WHEEL SYSTEM  
RS10 EUOROLLER

# EUROROLLER SYSTEM

PRODUCT	DESCRIPTION	FINISH	CODE	PRICE
---------	-------------	--------	------	-------

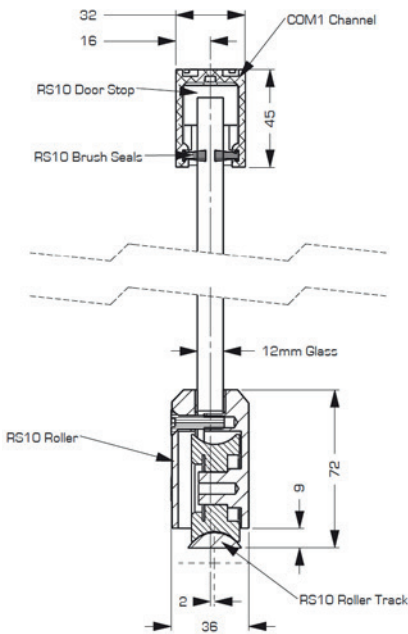


## Bottom Wheel Roller Sliding Door System

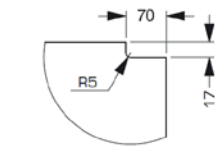
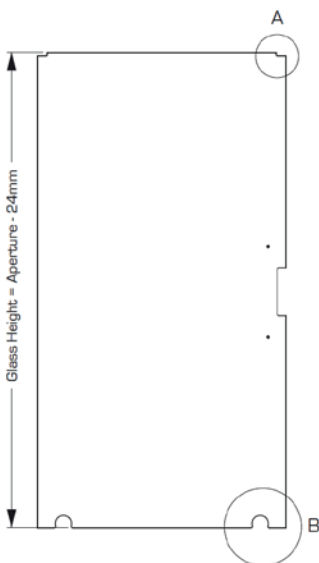
The Euroroller achieves smooth movement using two stainless steel base rollers of 90mm diameter which effortlessly glide over the slim profile, stainless steel track. Combined with a top channel guide, this simple and smart system allows for any combination of door and side panel sizes, with weight loading up to 150kg per door. Individual fittings available on request. System can be used with multiple lines of track for several doors opening in the same direction and biparting applications. Specify 10mm or 12mm glass thickness on order. Max load 150kg per door.

Each door kit contains:

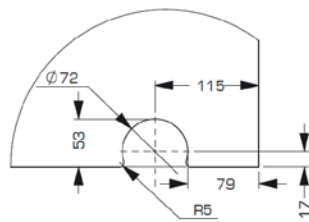
- 2 or 4 x Rollers Stainless Steel (Satin, Polished, or Black)
- 2 or 4 x Top Channel stops
- 1 or 2 x Top Channel & Woolpile
- 1 or 2 x Bottom Track (either 2m or 4m)



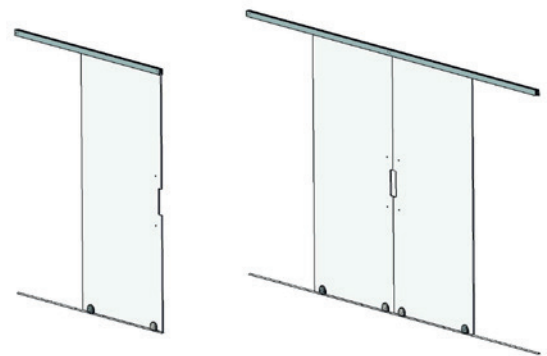
Single Door Kit	2mtr Track	Satin	RS10-2SD-SS	●
		Polished	RS10-2SD-PS	●
		Black	RS10-2SD-BK	●
Single Door Kit	4mtr Track	Satin	RS10-4SD-SS	●
		Polished	RS10-4SD-PS	●
		Black	RS10-4SD-BK	●
Double Door Kit	4mtr Track	Satin	RS10-4DD-SS	●
		Polished	RS10-4DD-PS	●
		Black	RS10-4DD-BK	●



Stop - glass cutout detail



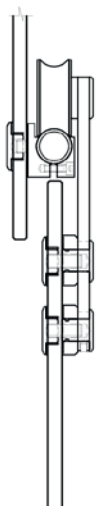
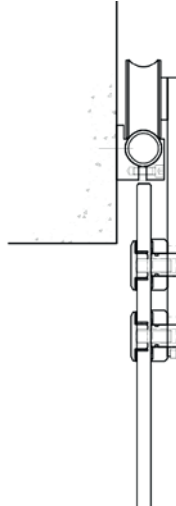
Roller - glass cutout detail





TUBULAR TOP HUNG SLIDING KIT  
**SIENNA SN120**

# SIENNA TUBULAR SYSTEM

PRODUCT	DESCRIPTION	SIZE	CODE	PRICE
<b>Glass Mount</b> 	<p>Tubular top hung sliding door system supplied as single door sets. Two sets can be joined for biparting door applications.</p> <p>All components satin stainless steel finish. Sets include track, hangers, mounting brackets, stops and floorguide.</p> <p>Max door weight 120kg. Max door width 1500mm. Max door height 2400mm. Glass thickness 10mm</p>			
	<b>Glass Mount Sets</b> <p>Glass mount sets contain mount brackets to fix track to glass over light and side panels.</p> <p>Includes 7 glass mount brackets.</p>	<p>Suit up to 1250mm wide door. 2500mm track</p>	SNGG25	●
		<p>Suit up to 1500mm wide door. 3000mm track.</p>	SNGG30	●
<b>Solid Wall Mount</b> 	<b>Solid Wall Mount Sets</b> <p>Solid wall mount sets contain mount brackets to fix track to solid timber/ concrete walls.</p> <p>SNGW25 includes 5 glass mount brackets.</p> <p>SNGW30 includes 6 glass mount brackets.</p>	<p>Suit up to 1250mm wide door. 2500mm track</p>	SNGW25	●
		<p>Suit up to 1500mm wide door. 3000mm track</p>	SNGW30	●
	<b>Track jointer</b>		SNTJ10	●
	<b>Over panel bracket</b>		SN25-15	●

# EXPOSED SLIDING SHOWER SYSTEM KITS



## EXPOSED SS12 Sliding Door Hardware Kit

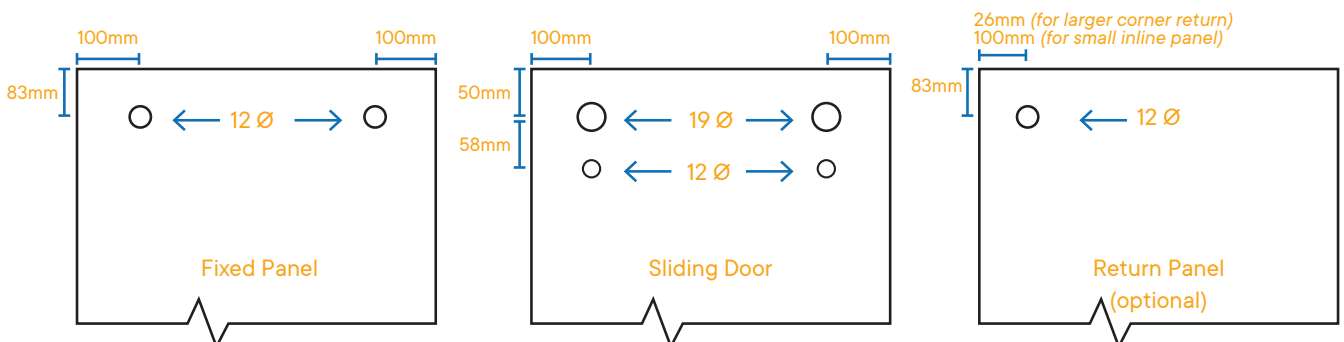
The Opus Exposed SS12 Sliding Shower Door Hardware Kit includes everything needed to suit standard & large sized alcove/corner shower situations with single or double side panels. It is supplied with a 1260mm Standard undrilled bar included along with finger door pull, rollers, stoppers, (wall, glass and rail) connectors, antijump pins, reversible door/floor guide and adjusting tools. Suits 8-10mm glass doors. Max Door Weight 45kgs

	FINISH	ORDER CODE	PRICE
	Polished Chrome	SS12-C	●
	Black	SS12-BK	●
	Brushed Brass	SS12-BB	●
	Brushed Stainless (Nickel)	SS12-BS	●
	Gun Metal (Electroplated)	SS12-GM	●
Upgrade & Swap from 1260mm Standard Bar to 2000mm Undrilled Longer Bar		ADD + SS-2000	●
Drill, Cut or Special Custom Length Bar (2000mm & Under)		ADD + SS-BAR	●

\*Fixed Panel floor channel must be left 20mm short on installation to allow for the slide on floor mounted door guide

\*Maximum Door weight 45kgs

## GLASS CUT-OUT DETAILS





# ECLIPSE CONCEALED SLIDER DOOR SYSTEM



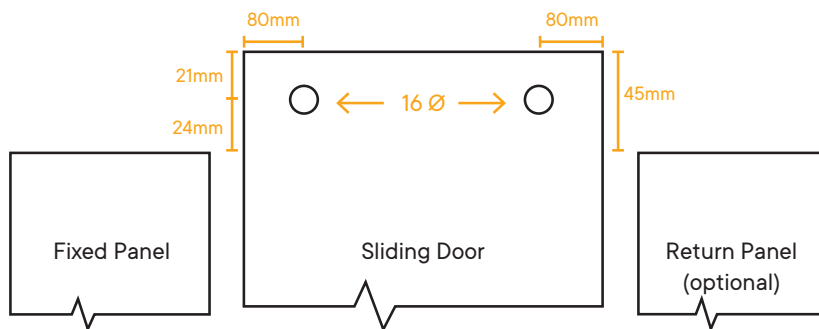
## ECLIPSE Concealed Sliding Door System

Opus Hardware's ECLIPSE System is a concealed modular roller sliding door kit and requires holes only in the sliding door so standard 10mm undrilled plain panels can be used on the side and return panels. The sliding rail track sits on top of the fixed panels and can be used for alcove or corner showers by simple mitre cuts.

Kit comes with rollers, stop blocks, door guide and 2.5m of sliding track extrusion.

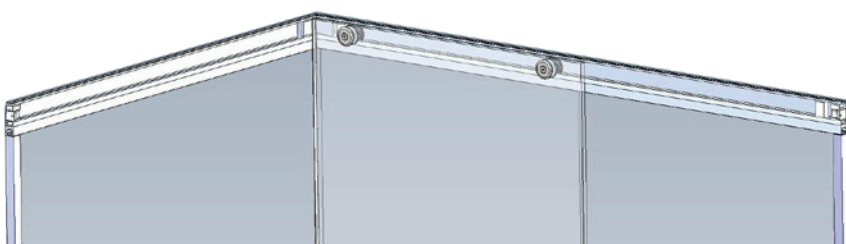
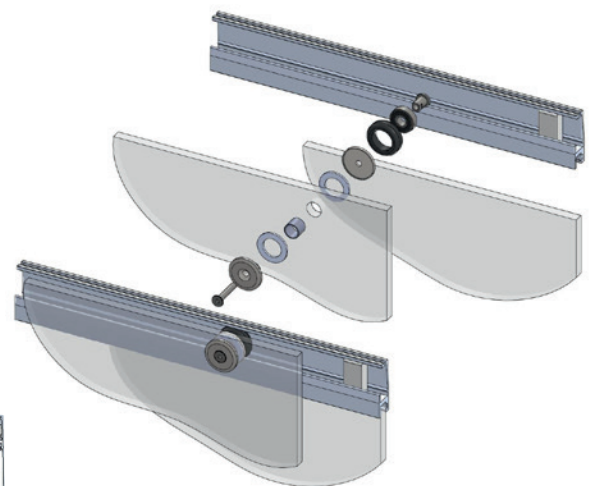
Handle is not included. Max door weight is 45kgs

FINISH	ORDER CODE	PRICE
Polished Chrome	SH808-C	●
Black	SH808-BK	●
Brushed Brass	SH808-BB	●
Brushed Stainless (Nickel)	SH808-BS	●
Gun Metal	SH808-GM	●



\*Wall channels should finish 10mm below top of fixed glass panels, this is to allow for top track.

\*Components must be slid into top track before top track installation.





**0800 404 043**  
**opushardware.com**

