

**SECTION 7
GLASS FASTENINGS
& SHOPFITTINGS**



Wholesale Price List OCT 2023

www.opushardware.com



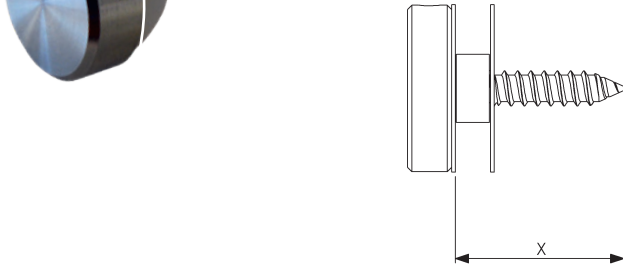
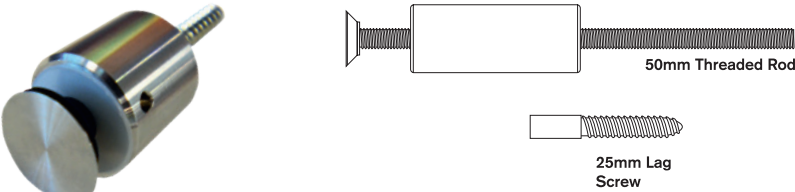
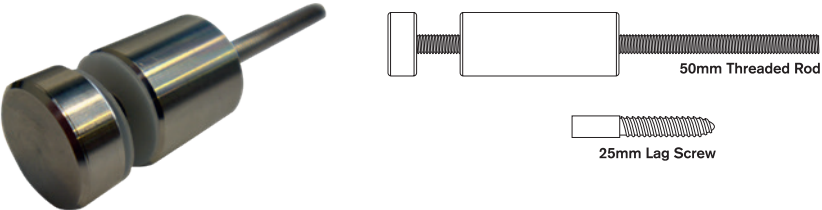
SECTION 7 | GLASS FASTENINGS & SHOPFITTINGS

Product	Page
Product Overview	3
Covered and Uncovered Countersunk Bushes	4
Button Head Fixings 19mm - 50mm	5
Covered Countersunk Standoff Anchors	6
Button Head Standoff Anchors	6
Glass Standoff Order Form	7
Lag Screws and Threaded Rod	8 - 9
Nuts, Washer, Gaskets	10 - 11
Coach Bolts, Screws	11
Countersunk Screws	12
Nylon / PVC Spacers and Bushes	13
Glass Clamps	14

PRODUCT OVERVIEW

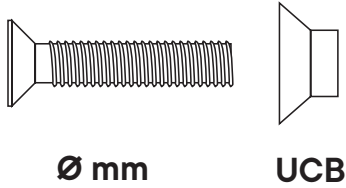
Scope of Use

- Designed to secure frameless glass panels
- Securing the standoff fitting is typically by way of a stainless steel lag screw / threaded rod
- Crafted from durable stainless steel, these fasteners can be used indoors or outdoors for a range of applications to secure glass to a respective substrate.
- Ideal for furniture, cabinets, splash backs, signs, plaques and counters.

PRODUCT	DESCRIPTION	CODE
	<p>Double Button Heads</p>	<p>DB</p>
	<p>Button Head</p>	<p>BT</p>
	<p>Button Head with Lag Screw</p>	<p>BL</p>
	<p>Stainless Steel Covered Countersunk</p>	<p>GSCC</p>
	<p>Stainless Steel Button Head</p>	<p>GSBH</p>

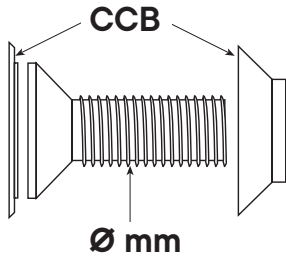
UNCOVERED COUNTERSUNK BUSHES - UCB

PRODUCT	Ø mm	A mm	B mm	CODE	PRICE
Black Nylon Brush only (bolt not included)	6	18	10	UCB6	
	8	20	12	UCB8	
	10	24	16	UCB10	
	12	28	18	UCB12	



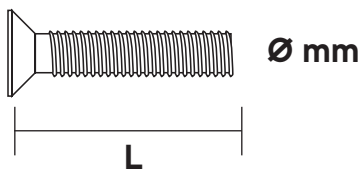
COVERED COUNTERSUNK BUSHES - CCB

PRODUCT	Ø mm	A mm	B mm	CODE	PRICE
Stainless covered bush set (bolt not included)	4	16	7	CCB4	
	6	22	10	CCB6	
	8	26	14	CCB8	
	10	30	18	CCB10	

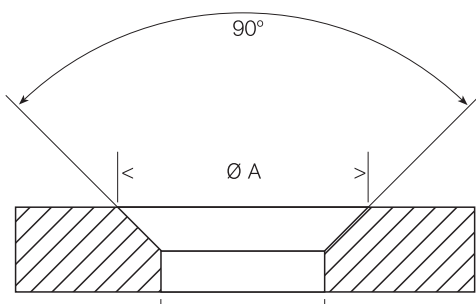


COUNTERSUNK SCREWS - CSK

PRODUCT	Ø x L mm	CODE	PRICE
Stainless Countersunk CSK Screw Only	M4 x 25mm	301231	
	M6 x 50mm	301272	
	M8 x 50mm	301279	
	M10 x 50mm	301260	
	M12 x 50mm	301879	

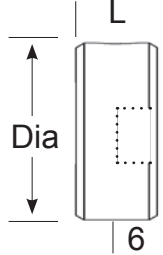


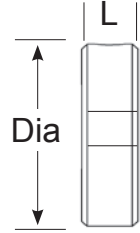
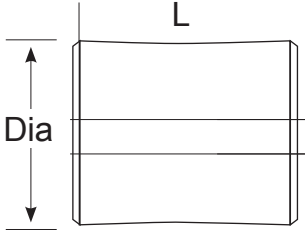
HOLE PREPARATION

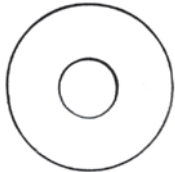


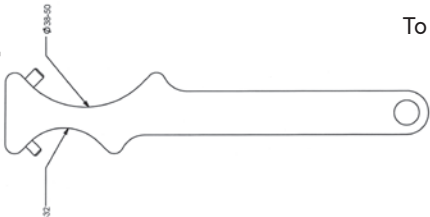
CCB6 A =22mm B=10mm
CCB8 A =26mm B= 14mm

BUTTON HEAD FIXINGS 19MM - 50MM Ø

PRODUCT	Ø mm = DIA	L = LENGTH	THREAD	CODE	PRICE
304 Stainless Button Head 	19	10mm	M6	BH19	
	25	10mm	M6	BH25	
	32	10mm	M8	BH32	
	38	10mm	M8	BH38	
	50	10mm	M10	BH50	

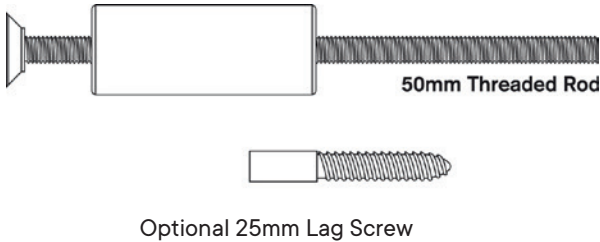
PRODUCT	Ø mm = DIA	L = LENGTH	HOLE	CODE	PRICE
304 Stainless Spacers  	19	5	7mm	SP19-5	
	19	10	7mm	SP19-10	
	19	20	7mm	SP19-20	
	25	5	7mm	SP25-5	
	25	10	7mm	SP25-10	
	32	5	8.5mm	SP32-5	
	32	10	8.5mm	SP32-10	
	38	5	8.5mm	SP38-5	
	38	10	8.5mm	SP38-10	
	50	6	10.5mm	SP50-20	
	50	20	10.5mm	SP50-20	
	50	25	10.5mm	SP50-25	
	50	30	10.5mm	SP50-30	

PRODUCT	Ø mm = DIA	L = LENGTH	HOLE	CODE	PRICE
L.D.P.E. Gasket Washers (Opaque) 	.8mm x 16mm	M6	Opaque	LG-16	
	.8mm x 19mm	M8	Opaque	LG-19	
	.8mm x 23mm	M8	Opaque	LG-23	
	.8mm x 31mm	M8	Opaque	LG-30	
	.8mm x 36mm	M8	Opaque	LG-36	
	.8mm x 50mm	M10	Opaque	LG-50	

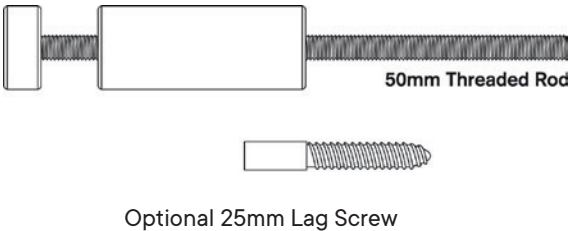
PRODUCT	DESCRIPTION	CODE	PRICE
Anchor Spanner 	To Suit 19mm to 50mm diameter Anchors	SP19-50	

SS Stainless Steel

COVERED COUNTERSUNK STANDOFF ANCHORS

PRODUCT	DESCRIPTION	CODE	PRICE	
Covered Countersunk	19mm diameter x 25mm standoff	GSCC - 19 x 25		
	19mm diameter x 50mm standoff	GSCC - 19 x 50		
		25mm diameter x 25mm standoff	GSCC - 25 x 25	
		25mm diameter x 50mm standoff	GSCC - 25 x 50	
	32mm diameter x 25mm standoff	GSCC - 32 x 25		
	32mm diameter x 50mm standoff	GSCC - 32 x 50		

BUTTON HEAD STANDOFF ANCHORS

PRODUCT	DESCRIPTION	CODE	PRICE	
Button Head	19mm diameter x 25mm standoff	GSBH - 19 x 25		
	19mm diameter x 50mm standoff	GSBH - 19 x 50		
		25mm diameter x 25mm standoff	GSBH - 25 x 25	
		25mm diameter x 50mm standoff	GSBH - 25 x 50	
	32mm diameter x 25mm standoff	GSBH - 32 x 25		
	32mm diameter x 50mm standoff	GSBH - 32 x 50		

- When ordering, specify 50mm threaded rod or woodfix lag screw for wall fixing.
- Anchor diameter 19mm and 25mm – use M6 threaded rod, lag screw and CCB6 Bush.
- Anchor diameter 32mm – use M8 threaded rod, lag screw and CCB8 Bush.
- Anchors are 304 Satin Stainless Steel

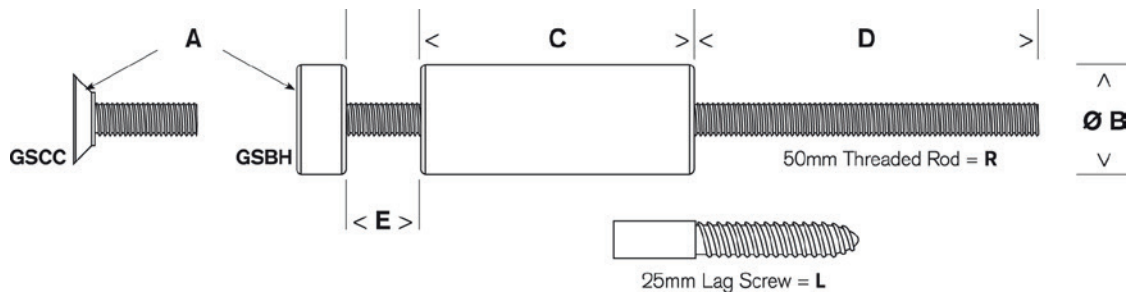
HOW TO ORDER

Glass Standoff Anchors

Order Request Price Request

Company Name: _____ Order Number: _____

Contact Name: _____ Date: _____



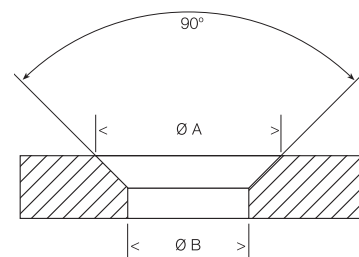
A Head Type	Covered Countersunk Bush Button Head	GSCC GSBH	<input type="text"/>
B Glass Anchor Diameter	Ø19mm, Ø25mm, Ø32mm, Ø38mm - 304SSS, Ø50mm - 316SSS		<input type="text"/>
C Standoff Length	20mm, 25mm, 30mm, 50mm, Special length (specify)		<input type="text"/>
D Fixing Type	Threaded Rod, 50mm long Lag Screw, Zinc Plated 25mm long	R L	<input type="text"/>
E Glass Thickness	6mm, 8mm, 10mm, 12mm, 15mm, 19mm, Other (mm)		<input type="text"/>
F Quantity Required			<input type="text"/>

Anchor Diameter	Thread Size	Glass Hole Size For Button Head
Ø19mm and Ø25mm	M6	10mm
Ø32mm and Ø38mm	M8	12mm
Ø50mm	M10	16mm

Note

Before drilling or countersinking glass check catalogue for correct dimensions.

CCB HOLE PREPARATION



Anchor Diameter	Counter Sunk Head Type	Glass Counter Sunk Dimensions
Ø19mm x Ø25mm	CCB6	A=22mm B=10mm
Ø32mm x Ø38mm	CCB8	A=26mm B=14mm
Ø50mm	CCB10	A=30mm B=18mm

LAG SCREWS / DRILLS

PRODUCT	L = LENGTH	THREAD	COLOUR	CODE	PRICE
Lag Screw - Stainless Steel	90mm	M6	SS 316	LS690	
	80mm	M8	SS 316	LS880	
	130mm	M8	SS 316	LS8130	
	80mm	M10	SS 316	LS1080	
	100mm	M10	SS 316	LS10100	
	120mm	M10	SS 316	LS10120	
	140mm	M10	SS 316	LS10140	
	160mm	M10	SS 316	LS10160	
	165mm	M10	SS 316	LS10165	
	170mm	M10	SS 316	LS10170	
	175mm	M10	SS 316	LS10175	
	180mm	M10	SS 316	LS10180	
	195mm	M10	SS 316	LS10195	
	120mm	M12	SS 316	LS12120	
	140mm	M12	SS 316	LS12140	
	160mm	M12	SS 316	LS12160	
	190mm	M12	SS 316	LS12190	
Lag Screw - Zinc Plated	50mm	M6	Zinc Plated	LS650-ZL	
	50mm	M8	Zinc Plated	LS850-ZL	
	75mm	M10	Zinc Plated	LS1075-ZL	
	100mm	M10	Zinc Plated	LS10100-ZL	
	120mm	M10	Zinc Plated	LS10120-ZL	
Masonry Drill Bit	10mm	M10		MD-M10	
	12mm	M12		MD-M12	



SS Stainless Steel

THREADED RODS

SIZE	CODE	PRICE
------	------	-------

Threaded Rods - Stainless Steel

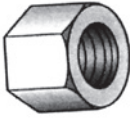
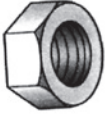





M5x1000	TR5-1000	
M6x25	TR6-25	
M6x35	TR6-35	
M6x60	TR6-60	
M6x1000	TR6-1000	
M8x34	TR8-34	
M8x38	TR8-38	
M8x42	TR8-42	
M8x45	TR8-45	
M8x46	TR8-46	
M8x50	TR8-50	
M8x55	TR8-55	
M8x60	TR8-60	
M8x70	TR8-70	
M8x1000	TR8-1000	
M10x20	TR10-20	
M10x25	TR10-25	
M10x30	TR10-30	
M10x35	TR10-35	
M10x40	TR10-40	
M10x45	TR10-45	
M10x50	TR10-50	
M10x55	TR10-55	
M10x59	TR10-59	
M10x60	TR10-60	
M10x65	TR10-65	
M10x67	TR10-67	





SIZE	CODE	PRICE
------	------	-------

M10x71	TR10-71	
M10x75	TR10-75	
M10x80	TR10-80	
M10x90	TR10-90	
M10x100	TR10-100	
M10x110	TR10-110	
M10x115	TR10-115	
M10x120	TR10-120	
M10x130	TR10-130	
M10x140	TR10-140	
M10x150	TR10-150	
M10x180	TR10-180	
M10x200	TR10-200	
M10x1000	TR10-1000	
M12x35	TR12-35	
M12x60	TR12-60	
M12x100	TR12-100	
M12x110	TR12-110	
M12x115	TR12-115	
M12x120	TR12-120	
M12x150	TR12-150	
M12x160	TR12-160	
M12x200	TR12-200	
M12x220	TR12-220	
M12x240	TR12-240	
M12x1000	TR12-1000	
M16x50	TR16-50	
M16x80	TR16-80	
M16x105	TR16-105	
M16x200	TR16-200	
M16x1000	TR16-1000	

NUTS, WASHER, STAINLESS STEEL

PRODUCT	THREAD	MATERIAL	CODE	PRICE
Hex Nuts 	M4	SS 304	M4-HN	
	M6	SS 304	M6-HN	
	M8	SS 304	M8-HN	
	M10	SS 316	M10-HN	
	M12	SS 316	M12-HN	
	M14	SS 316	M14-HN	
	M16	SS 316	M16-HN	
Half/Locknuts 	M10	SS 316	M10-LN	
	M12	SS 316	M12-LN	
	M16	SS316	M16-LN	
Nyloc Nuts 	M6	SS 316	M6-NN	
	M8	SS 316	M8-NN	
	M10	SS 316	M10-NN	
	M12	SS 316	M12-NN	
	M16	SS 316	M16-NN	
Dome Nuts 	M6	SS 304	M6-DN	
	M8	SS 304	M8-DN	
	M10	SS 304	M10-DN	
	M12	SS 304	M12-DN	
	M16	SS 304	M16-DN	
Spring Washers 	M4	SS 304	M4-SW	
	M5	SS 304	M5-SW	
	M6	SS 304	M6-SW	
	M8	SS 304	M8-SW	
	M10	SS 316	M10-SW	
	M12	SS 304	M12-SW	
	M16	SS 304	M16-SW	

STAINLESS WASHERS, COACH SCREWS, COACH BOLTS

PRODUCT	SIZE	THREAD	MATERIAL	CODE	PRICE
Stainless Flat Washers 	1mm x 12.5mm	M6	SS 304	M6-FW12	
	1.6mm x 25mm	M6	SS 304	M6-FW25	
	1.2mm x 16mm	M8	SS 304	M8-FW16	
	2mm x 24mm	M8	SS 304	M8-FW24	
	2mm x 21mm	M10	SS 304	M10-FW21	
	2.5mm x 30mm	M10	SS 304	M10-FW30	
	3mm x 50mm	M10	SS 316	M10-FW50	
	3mm x 50mm	M12	SS 316	M12-FW50	
HD Square Washer 	50x50x3	M10	SS	M10-SQW	
	50x50x3	M12	SS	M12-SQW	
	50x50x5	M12	Galv	M12-SQW-G	
Stainless Hex Coach Bolts 	100mm	M10	SS 316	M10-100-CB	
	110mm	M10	SS 316	M10-110-CB	
	120mm	M10	SS 316	M10-120-CB	
	150mm	M10	SS 316	M10-150-CB	
	160mm	M10	SS 316	M10-160-CB	
	180mm	M10	SS 316	M10-180-CB	
	120mm	M12	SS 316	M12-120-CB	
	130mm	M12	SS 316	M12-130-CB	
	140mm	M12	SS 316	M12-140-CB	
	150mm	M12	SS 316	M12-150-CB	
	160mm	M12	SS 316	M12-160-CB	
	180mm	M18	SS 316	M12-180-CB	
	Stainless CSK Coach Screws 	100mm	M10	SS 316	M10-100-CS
110mm		M10	SS 316	M10-110-CS	
120mm		M10	SS 316	M10-120-CS	
120mm		M12	SS 316	M12-120-CS	

CSK COUNTERSUNK SCREWS

SIZE	CODE	PRICE
------	------	-------

CSK Countersunk Screws



M4x12mm 316 SSS	302127	
M4x16mm 304 SSS	301787	
M4x25mm 316 SSS	301231	
M4x50mm 304 SSS	301788	
M5x16mm 316 SSS	301267	
M5x25mm 316 SSS	302173	
M5x30mm 316 SSS	302134	
M5x40mm 316 SSS	302135	
M6x12mm 316 SSS	302238	
M6x16mm 316 SSS	301268	
M6x16mm 304 Gold	301936	
M6x20mm 316 SSS	301269	
M6x25mm 316 SSS	301270	
M6x30mm 316 SSS	301271	
M6x35mm 316 SSS	302137	
M6x40mm 316 SSS	302011	
M6x50mm 316 SSS	301272	
M8x16mm 316 SSS	302133	
M8x20mm 316 SSS	301273	
M8x25mm 316 SSS	301274	
M8x30mm 316 SSS	301275	
M8x35mm 316 SSS	301276	
M8x40mm 316 SSS	301277	

SIZE	CODE	PRICE
------	------	-------

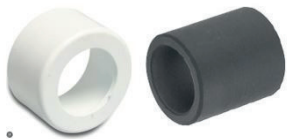
M8x45mm 316 SSS	301278	
M8x50mm 316 SSS	301279	
M8x60mm 316 SSS	301280	
M8x100mm 316 SSS	301790	
M10x16mm 304 SSS	301253	
M10x20mm 316 SSS	301254	
M10x25mm 316 SSS	301255	
M10x30mm 316 SSS	301256	
M10x35mm 316 SSS	301257	
M10x40mm 316 SSS	301258	
M10x45mm 316 SSS	301259	
M10x50mm 316 SSS	301260	
M10x55mm 316 SSS	301261	
M10x60mm 316 SSS	301262	
M10 x 60mm 316 PSS	302255	
M10x65mm 316 SSS	301900	
M10 x 65mm 316 PSS	302257	
M10x70mm 316 SSS	301901	
M10x70mm 316 SSS	301263	
M10x80mm 316 SSS	301935	
M10x80mm 316 SSS	301264	
M10x100mm 316 SSS	301250	
M10x110mm 316 SSS	301251	
M10x120mm 316 SSS	301252	
M12x130mm 316 SSS	301265	
M12x50mm 316 SSS	301879	
M16x30mm 316 SSS	301266	

NYLON / PVC SPACERS AND BUSHES

SIZE	CODE	PRICE
------	------	-------

Spacers and Bushes

Size = OD x ID x Thickness/Length

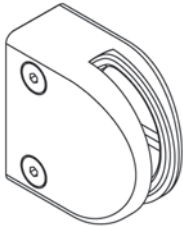
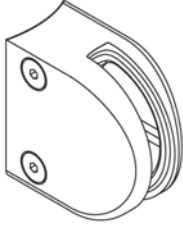
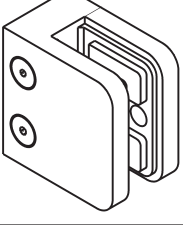
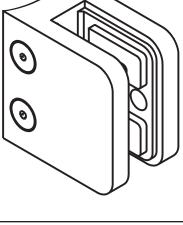

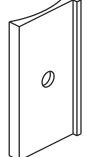
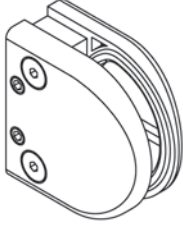


14x10x11.5	301917	
14x10x5.5	300193	
14x10x9.5	300185	
14x7x12	300186	
14x7x15	302148	
14x8.5x9	300187	
14x8x11.5	300183	
15x10x11.5	300191	
15x10x8.5	300200	
15x10x9.5	300192	
15x6.5x7.5	300194	
15x7x9.5	300195	
15x8.5x13	300196	
15x8.5x7.5	300199	
15x8x11.5	300188	
15x8x14.7	300197	
15x8x15.5	300198	
18x12x24	300201	
19.5x8x5.5	300206	
19x10x11.5	300179	
19x10x13.6	300182	
19x10x14.5	300189	

SIZE	CODE	PRICE
------	------	-------

19x10x17.5	300202	
19x10x18.5	300208	
19x10x20.6	300203	
19x10x5.5	300204	
19x10x7.5	300205	
19x10x9.5	300177	
19x14x11.5	300180	
19x14x14.5	300190	
19x14x18.5	301884	
19x14x9.5	300178	
19x16x5.5	300216	
19x9x9.5	300212	
26x22x14.5	300213	
26x22x5.5	300214	
26x22x9.5	300215	
26x22x11.5	300217	
26x22x17	300219	
26x22x18.5	300220	
26x22x20.5	300221	
26x22x24.5	300223	
14x10.5x5.5	300184	
19.5x9x11.5	300207	
19x8x11.5	300211	
26.5x22.5x21	300222	
26.5x22.5x2	300224	

STAINLESS STEEL GLASS CLAMPS

PRODUCT	DESCRIPTION	CODE	PRICE
	Flat back - Rounded 8-12mm No glass preparation required 35kg per clamp loading. 316 stainless steel (8mm, 10mm, 12mm)	SS300-SS	
		SS300-PS	
	Round back - Rounded 8-12mm No glass preparation required 35kg per clamp loading. 316 stainless steel (8mm, 10mm, 12mm)	SS301-SS	
		SS301-PS	
	Flat Back - Square 8-12mm No glass preparation required 35kg per clamp loading. 316 stainless steel (8mm, 10mm, 12mm)	SS200-SS	
		SS200-PS	
	Round Back - Square 8-12mm No glass preparation required 35kg per clamp loading. 316 stainless steel (8mm, 10mm, 12mm)	SS201-SS	
		SS201-PS	
	Security Pin Can be fitted into SS200 x SS201 clamps	SP202	
	Radius Back Plate To allow mounting of SS101 clamps to 50mm or 70mm diameter posts.	RS102.50	
		RS102.70	
	Lightweight Rounded - 6mm No glass preparation required 35kg per clamp loading. 316 stainless steel 6mm Glass	SS101-SS	
		SS101-PS	



0800 404 043
opushardware.com

